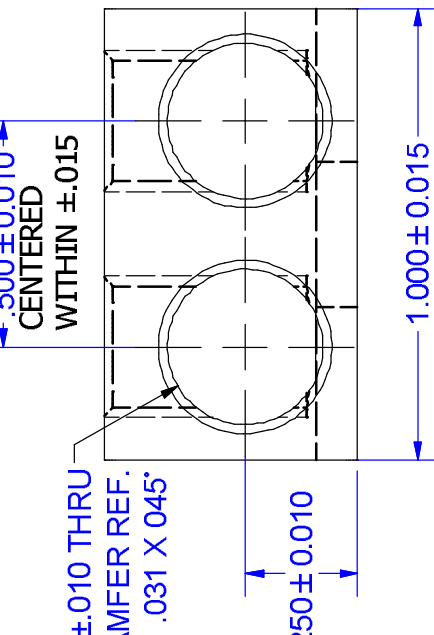
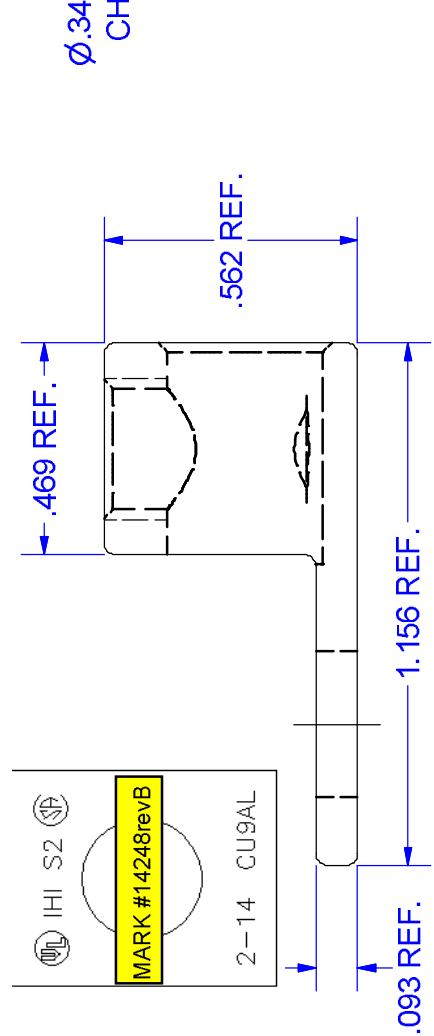
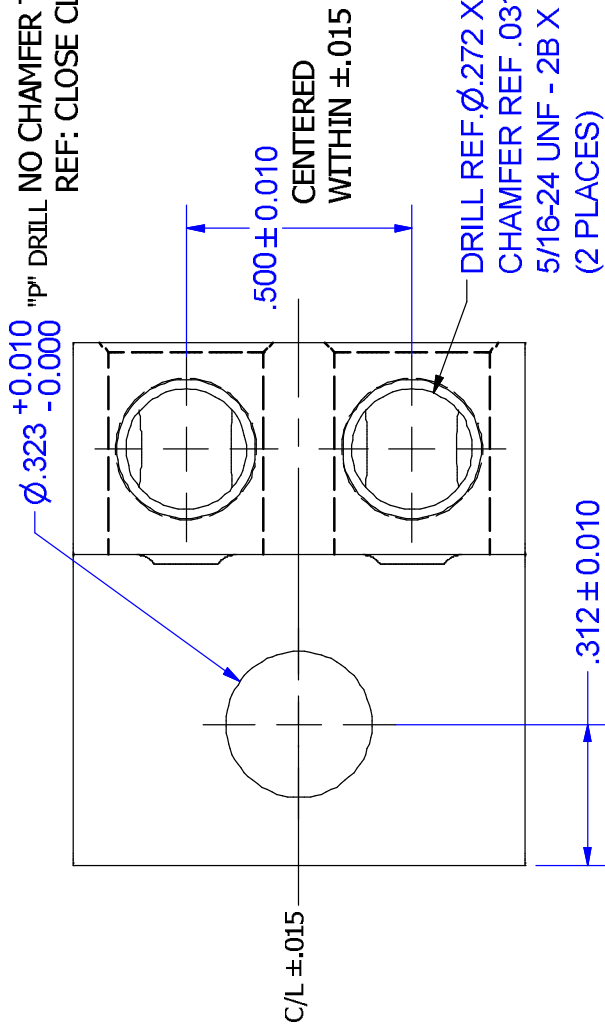
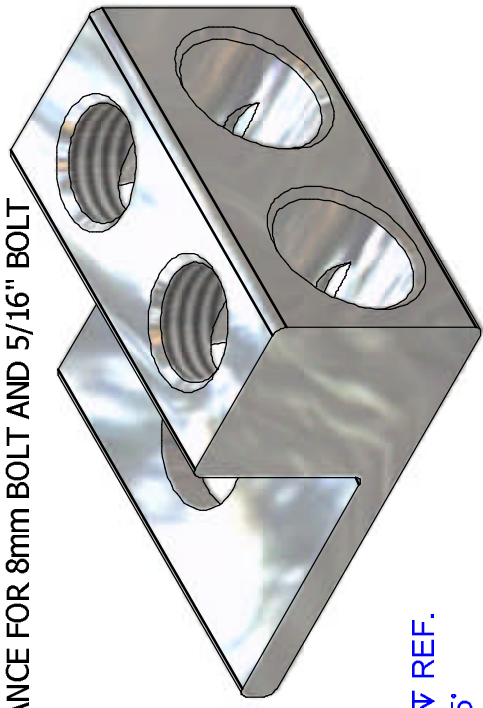


"P" DRILL NO CHAMFER TO ALLOW MARKER ROOM  
REF: CLOSE CLEARANCE FOR 8mm BOLT AND 5/16" BOLT



FILE E129884 VOL 2 Sec 1  
ZMW Listed Lug  
CSA Certified

|                                                                                                                                                                                                                                                                                                                                                      |                      |                                                      |               |
|------------------------------------------------------------------------------------------------------------------------------------------------------------------------------------------------------------------------------------------------------------------------------------------------------------------------------------------------------|----------------------|------------------------------------------------------|---------------|
| <small>THIS DRAWING DESIGNATES THE PROPERTY OF INTERNATIONAL HYDRAULICS, INC. IT IS TO BE USED ONLY FOR THE PART AND MAY NOT BE REPRODUCED OR COPIED IN ANY MANNER WITHOUT THE WRITTEN PERMISSION OF INTERNATIONAL HYDRAULICS, INC. (IHI). IHI, IHI LOGO, ZMW, ZMW LOGO, AND ZMW LISTED LUG ARE TRADEMARKS OF INTERNATIONAL HYDRAULICS, INC.</small> |                      | <b>INTERNATIONAL HYDRAULICS, INC.</b>                |               |
| <b>DUAL LUG-ALUMINUM</b>                                                                                                                                                                                                                                                                                                                             |                      | <b>WIRE RANGE: 2-14</b>                              |               |
| <b>MATERIAL:</b> 6061-T6 (1011)                                                                                                                                                                                                                                                                                                                      | <b>SIZE:</b> TDS     | <b>DRAWN BY:</b> 2S2                                 | <b>REV:</b> A |
| <b>FINISH:</b> TIN PLATE EMS 131A                                                                                                                                                                                                                                                                                                                    | <b>DATE:</b> 8/19/09 | <b>THIS IS A CAD DRAWING, DO NOT MANUALLY REVISE</b> |               |

NOTES:  
USE SCREWS (2 PER) 12786-14226  
PART MUST BE SHIPPED WITH TORQUE VALUES ON UNIT CONTAINER  
MARKING TO INCLUDE:  
IHI Logo, S2, 2-14, CU9AL, CSA Logo, UL Logo