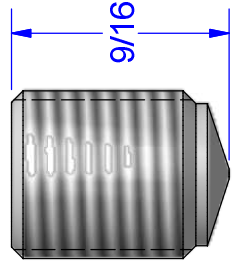
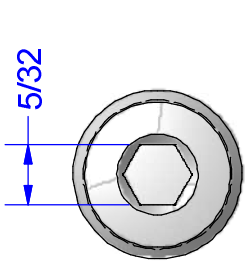
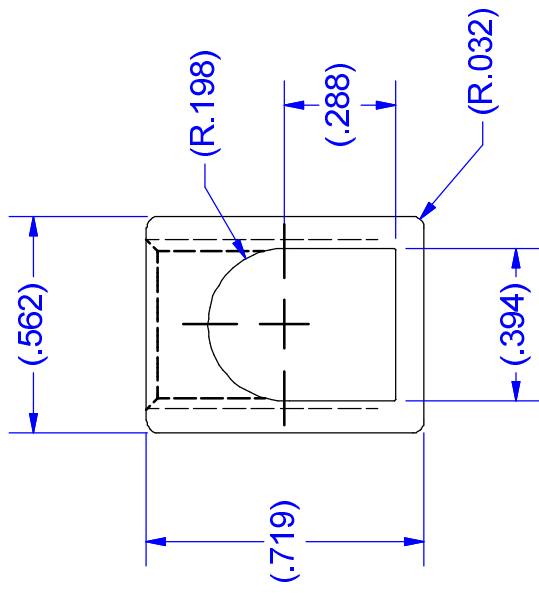
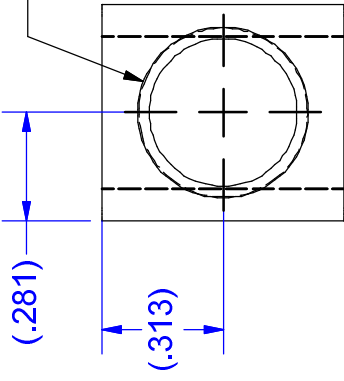
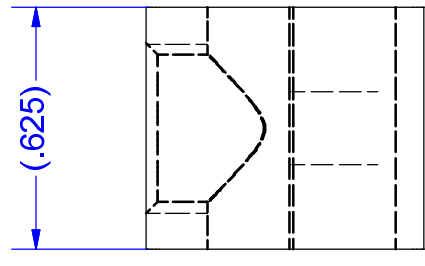
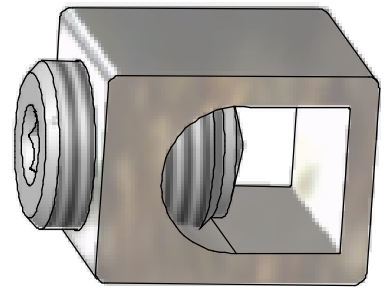


(.281) 7/16-20 UNF - 2B



SCREW #14236  
(2024-T4 ALUMINUM  
TIN PLATED)



**PARTS MARKED**  
1/0-8  
CU9AL  
B1/0  
CSA (USA+CANADA)  
IHI

THIS DRAWING AND DESIGN ARE THE PROPERTY OF INTERNATIONAL HYDRAULICS, INC. AND SHALL BE USED FOR THE BASIS OF DESIGN OR MANUFACTURE WITHOUT THE WRITTEN PERMISSION OF INTERNATIONAL HYDRAULICS, INC., CLEVELAND, OHIO.

GENERAL TOLERANCES  
±.015 (±0.038)

MATERIAL: 6061-T6  
(14414)

FINISH: TIN PLATE  
EMS 131

INTERNATIONAL HYDRAULICS, INC.

TITLE:

B1/0  
CONNECTOR

SCALE: 2:1  
DRAWN BY: TDS  
DWG NO.: B1/0-(SALES)  
REV:

DATE: 12/5/08  
THIS IS A CAD DRAWING, DO NOT MANUALLY REVISE