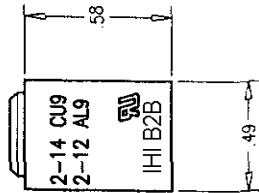
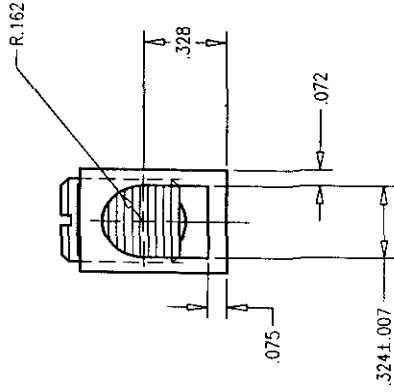
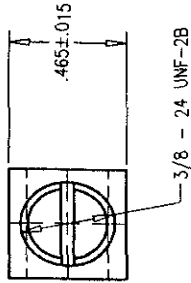


IHI SUPPLIES BODY AND ASSEMBLED SCREW
 CUSTOMER SUPPLIES BUS TO MEET UL SPECS
 CUSTOMER PROVIDES ANTI-ROTATION/PULL OFF
 BUS CROSS SECTION 0.312 X .045 COPPER ALLOY BUS
 BODY + BUS RATED AT 65 AMPS



NOTES:

WIRE RANGE: #2-#14 AWG CU; #2 - #12 AWG AL.

WIRE CLAMPING SCREW: ALUMINUM ALLOY, 3/8 - 24 X 13/32 SLOTTED HEADLESS SET SCREW
 W/ DOME SHAPED BOTTOM SUPPLY 1 PER CONNECTOR.

TIGHTENING TORQUE: 45 IN/LBS (SEE UL DATA SHEET FOR FULL DETAILS)

FINISH: TIN PLATE .0001" MIN THICK.

IHI CONNECTORS®

© International Hydraulics Inc

B2B Rev