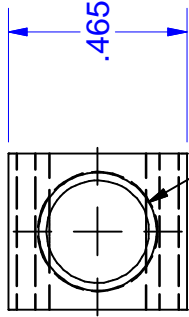
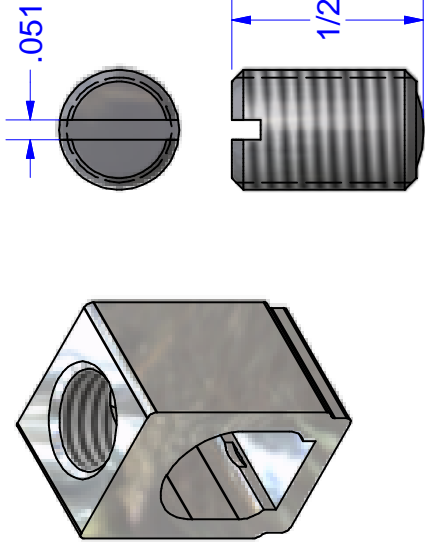
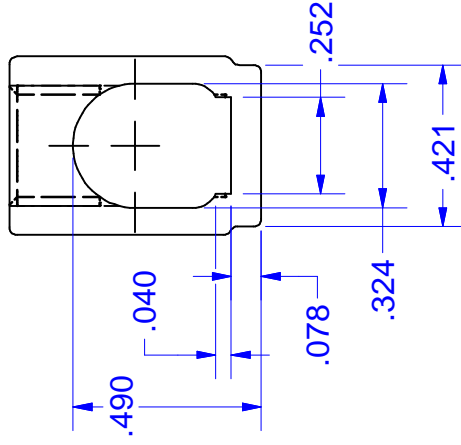
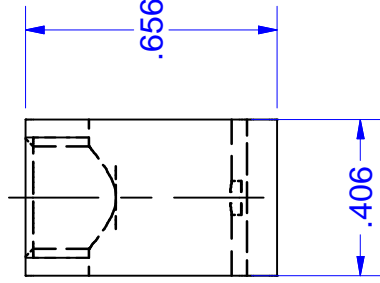


PART MARKED

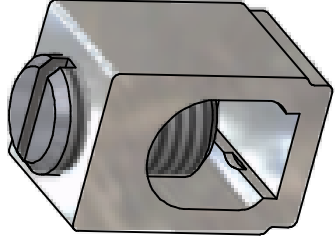
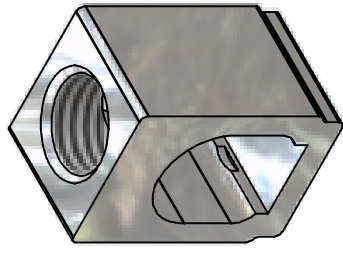
B2C 2-8AL7
 2-14CU7
 RU LOGO
 CSA LOGO
 IHI



5/16-24 UNF - 2B



SCREW #12786
 (PLATED STEEL)



CONNECTOR AS SHOWN: B2C
 ASSEMBLED WITH
 1. 12786 SLOTTED PLATED STEEL SCREW
 AVAILABLE WITH STAINLESS SLOTTED SCREW
 OR HEX SOCKET PLATED STEEL SCREW

REVISION HISTORY			
REV	DESCRIPTION	DATE	APPROVED
1	ADD NOTES	12/05/03	CDMR
2	REDRAWN IN CAD ALSO ADD ASSEMBLY VIEW	11/18/08	TIM SMITH

NOTES:

1. WIRE RANGE: #2-#8 AWG, AL7, #2-#14 AWG, CU7
2. CONNECTOR MUST WITHSTAND 8.93 Kg-cm OF TIGHTENING TORQUE WITH WIRE 50 Lbs-in AND SCREW # 12786 INSTALLED WITHOUT DAMAGE TO CONNECTOR OR SCREW.
3. PART FEATURES TO BE SYMMETRICAL ABOUT THE INDICATED CENTERLINE.

THIS DRAWING AND DESIGN ARE THE PROPERTY OF INTERNATIONAL HYDRAULICS, INC., CLEVELAND, OHIO, AND MAY NOT BE DUPLICATED, USED FOR THE BASIS OF DESIGN OR MANUFACTURE WITHOUT THE WRITTEN PERMISSION OF INTERNATIONAL HYDRAULICS, INC., CLEVELAND, OHIO.	
UNLESS OTHERWISE SPECIFIED: 1. DIMENSIONS ARE IN INCHES 2. REMOVE ALL BURRS AND SHARP EDGES 3. TOLERANCE ON DIMENSIONS: 2 PLACES (00) +/- .015 2 PLACES (000) +/- .010 FRACTIONS (000) +/- .132 ANGLES (00°) +/- .05° ANGLES (000°) +/- .005°	
MATERIAL: 6061-T6 ALUMINUM FINISH: TIN PLATE: EMS 131	
TITLE: INTERNATIONAL HYDRAULICS, INC.	B2C-SALES CONNECTOR
SIZE: TDS	DWG NO.: B2C-SALES
DRAWN BY: TDS	REV: 2
DATE: 11/18/08	THIS IS A CAD DRAWING, DO NOT MANUALLY REVISE