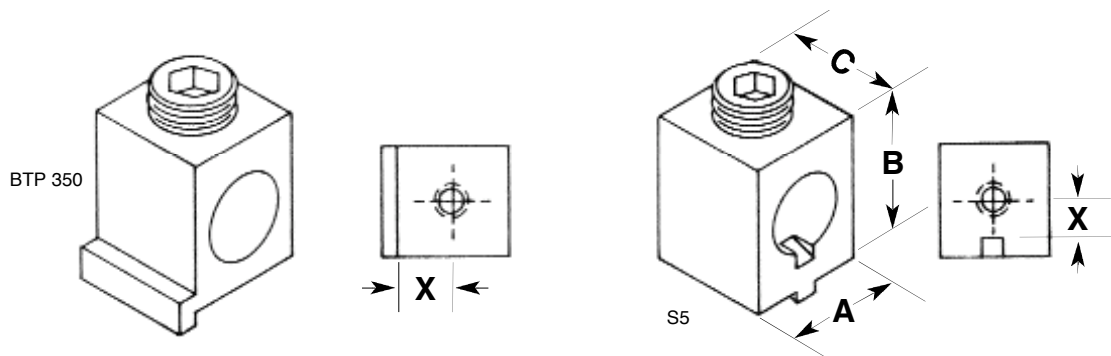
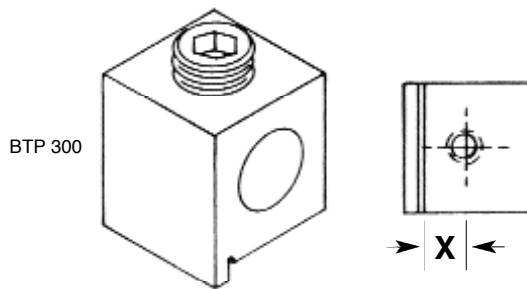
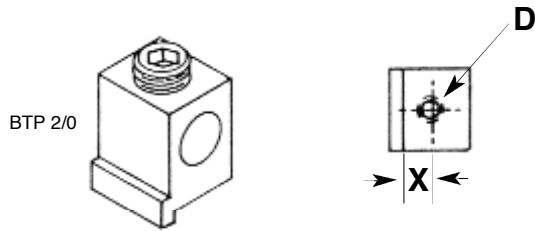




**Aluminum Box
Connectors with
"Turn Prevent"**



CAT. NO.	WIRE RANGE CU7AL	A	B	C	X	D
BTP 2/0	2/0-14	0.66	0.83	0.62	0.23	10-32
BTP 300	300 MCM-6	0.97	1.16	0.98	0.385	1/4-20
BTP 350	350 MCM-6	0.88	1.10	0.88	0.44	1/4-20
S5	300 MCM-6	0.88	1.09	0.88	0.312	1/4-20

Material: High Strength, High Conductive Aluminum Alloy 6061T6 **Plating:** Tin