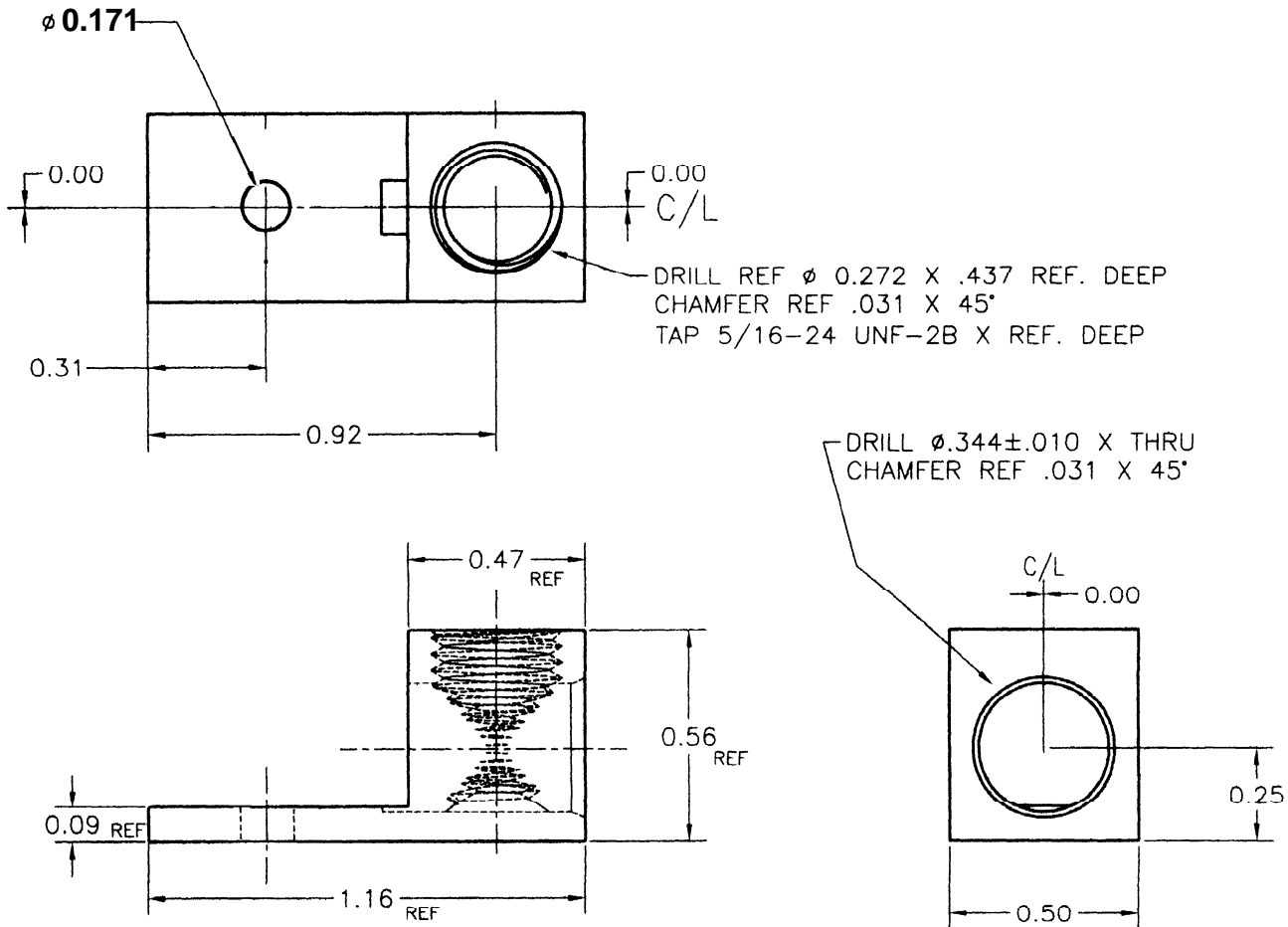


**S2-171 - FURNISH WITH SLOTTED SCREW**

**S2-171-HEX - FURNISH WITH HEX SOCKET SCREW**



**NOTES:**

THIS DRAWING AND DESIGN ARE THE PROPERTY OF INTERNATIONAL HYDRAULICS, INC., CLEVELAND, OHIO, AND MAY NOT BE DUPLICATED, USED FOR BASIS OF DESIGN OR MANUFACTURE WITHOUT THE WRITTEN PERMISSION OF INTERNATIONAL HYDRAULICS, INC., CLEVELAND, OHIO.

- UNLESS OTHERWISE SPECIFIED:  
 1. DIMS ARE IN INCHES. 2. TOLERANCE ON DIMS 3. REMOVE ALL BURRS AND SHARP EDGES.  
 4. PLACE (.000) ± 0.005  
 5. FRACTION 1/1000 ± .005  
 6. ANGLES ±1/2°

**MATERIAL**  
6061-T6

**FINISH**

TIN PLATE - EMS 131A

**INTERNATIONAL HYDRAULICS, INC.**

**TITLE**  
SINGLE LUG - ALUMINUM  
WIRE RANGE: 2 - 14

**MARKING:**

IHI, S2, 2-14, CU9AL



<b>SIZE</b> A	<b>DRAWN BY</b> JDB	<b>CHECK</b>	<b>DWG NO</b> S2-171-X	<b>REV</b>
<b>DATE</b> 01.07.2000			THIS IS A CAD DRAWING, DO NOT MANUALLY REVISE	