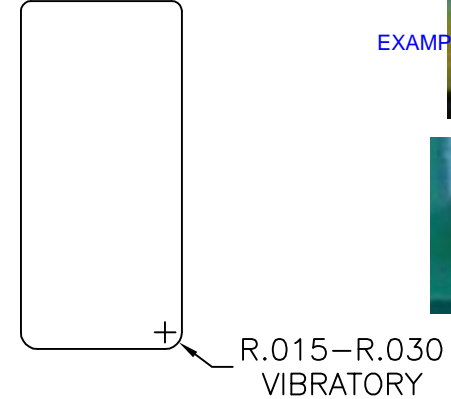
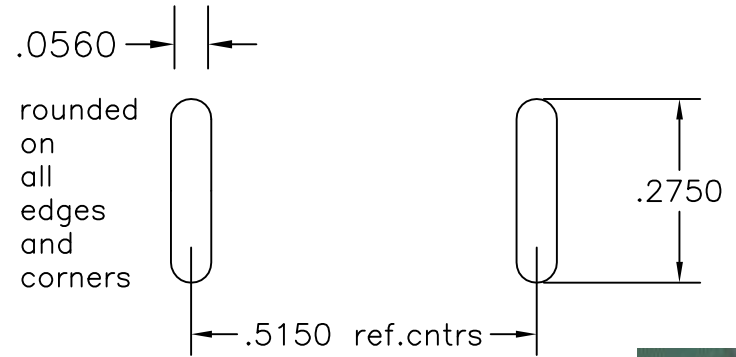
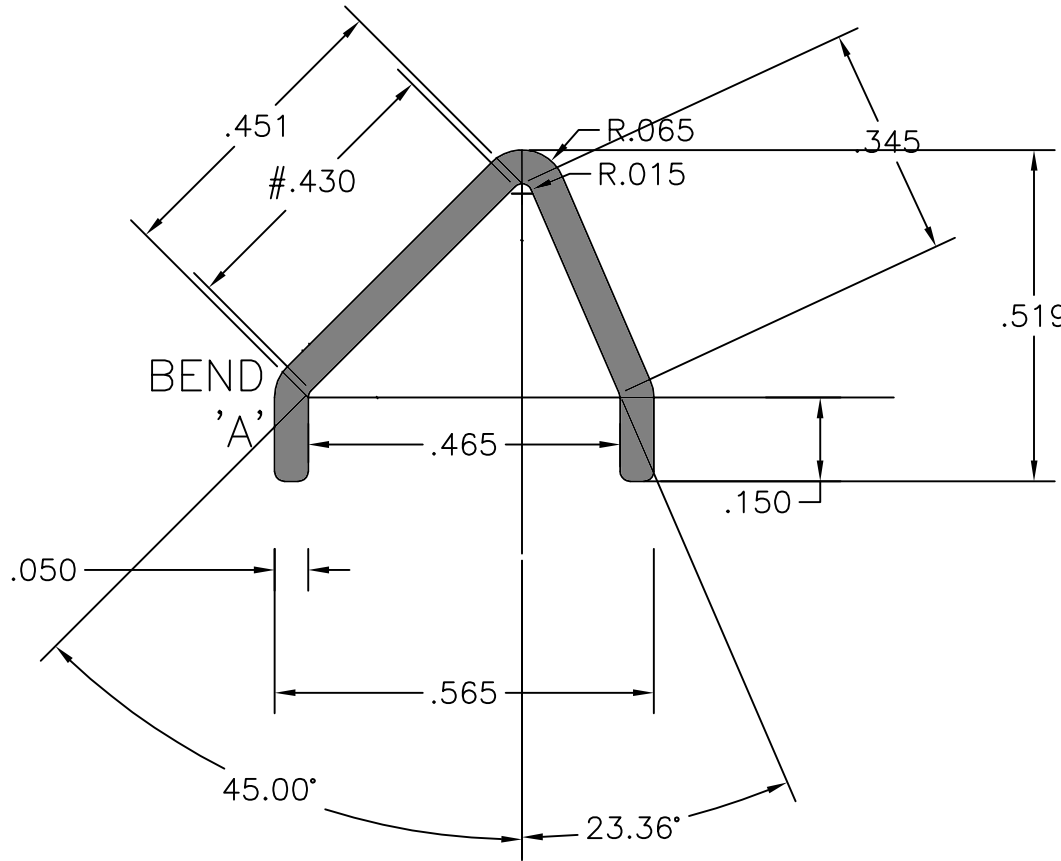


NOT FOR USE WHERE FAILURE CREATES A HAZARD TO HUMAN HEALTH OR SAFETY. ALL PRODUCTS ARE SUBJECT TO THIS FULL DISCLAIMER:  
<http://www.ihconnectors.com/disclaimer.html>

FOR FURTHER INFORMATION ON THE PROPER USE OF THIS PRODUCT IN SPECIFIC APPLICATIONS SEE  
[http://www.ihconnectors.com/High\\_Amp\\_Wide\\_Trace\\_PCB\\_Wire\\_Connection.html](http://www.ihconnectors.com/High_Amp_Wide_Trace_PCB_Wire_Connection.html)  
<http://www.ihconnectors.com/Technical-Data-Installation.htm>

GENERAL TOLERANCES +/- .015



MAKE FROM 110 COPPER

ABRASIVE TUMBLED TO ROUND CORNERS  
TIN PLATE FOR SOLDERABILITY

PART: 14257-45 REV 0 5-10-10

International Hydraulics Inc 45° STAPLE BUS 14257-45-150

REV  
DATE: 2/6/15