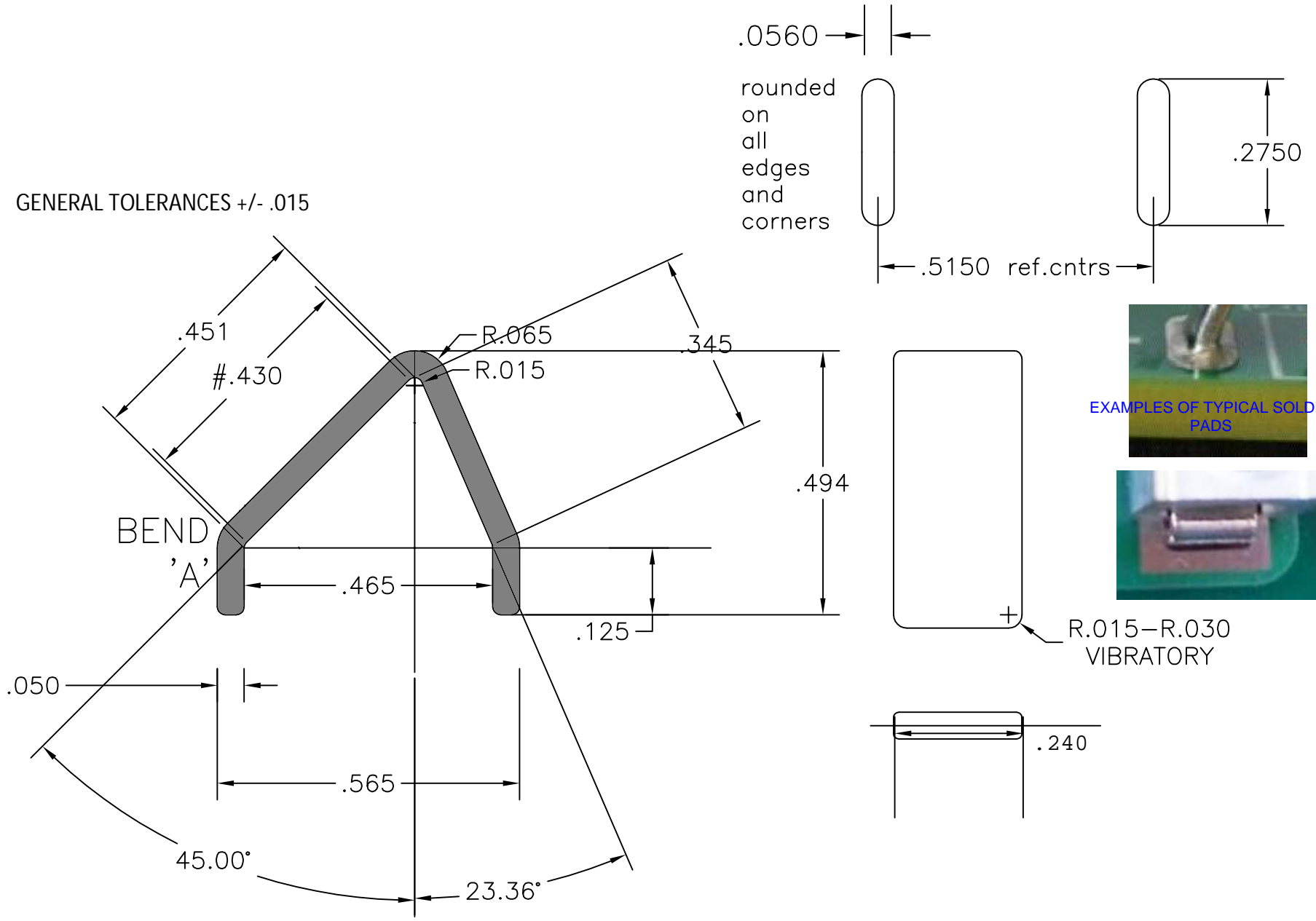


NOT FOR USE WHERE FAILURE CREATES A HAZARD TO HUMAN HEALTH OR SAFETY. ALL PRODUCTS ARE SUBJECT TO THIS FULL DISCLAIMER: <http://www.ihconnectors.com/disclaimer.html>

FOR FURTHER INFORMATION ON THE PROPER USE OF THIS PRODUCT IN SPECIFIC APPLICATIONS SEE http://www.ihconnectors.com/High_Amp_Wide_Trace_PCB_Wire_Connection.html <http://www.ihconnectors.com/Technical-Data-Installation.htm>



MAKE FROM 110 COPPER

ABRASIVE TUMBLED TO ROUND CORNERS
TIN PLATE FOR SOLDERABILITY

PART: 14257-45 REV 0 5-10-10

International Hydraulics Inc 45° STAPLE BUS 14257-45

REV 1
2/6/15