

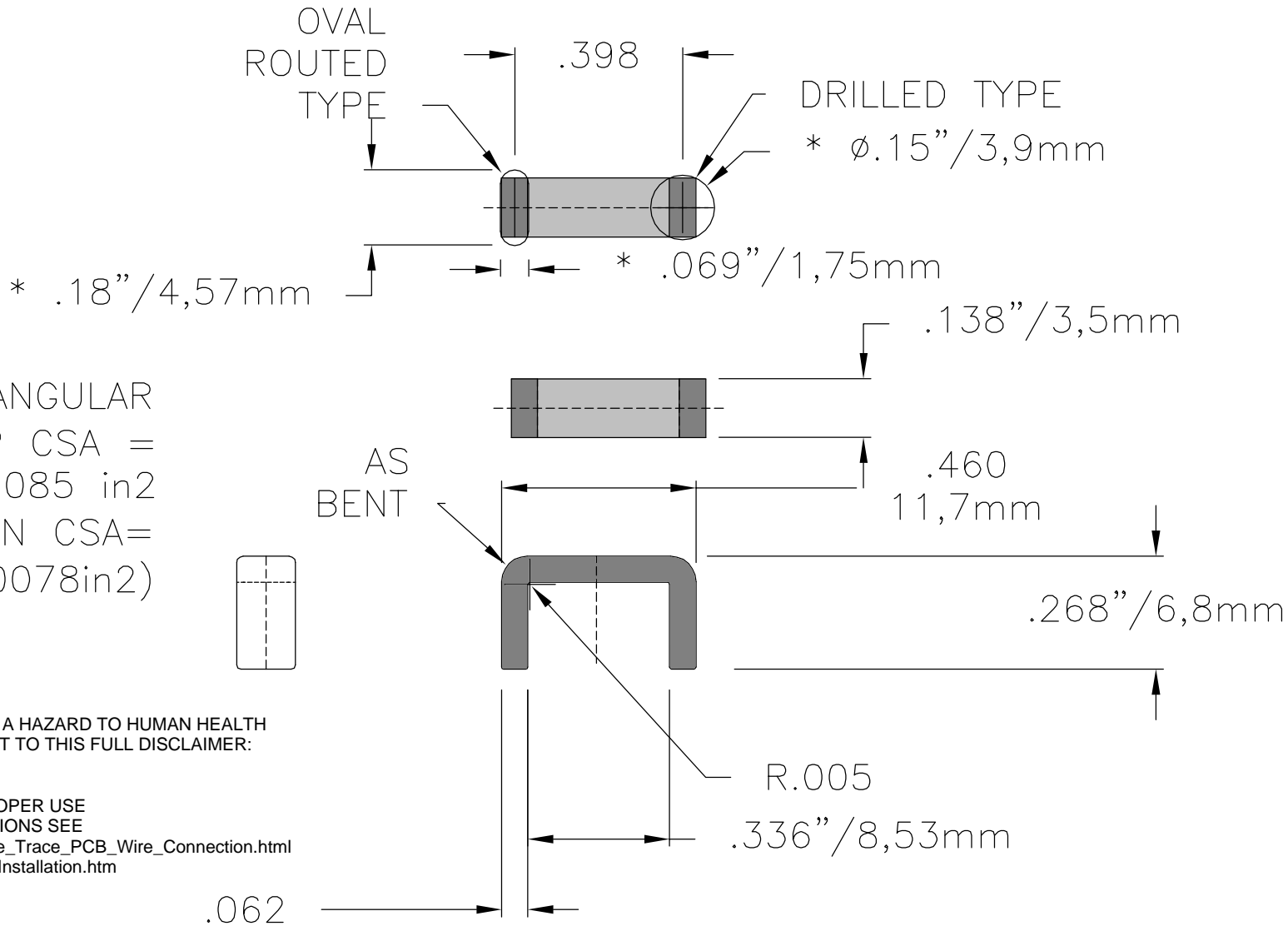
UNLESS OTHERWISE SPECIFIED, DIMENSIONS ARE IN INCHES. REMOVE ALL BURRS AND SHARP EDGES.

THIS DRAWING AND DESIGN ARE THE PROPERTY OF INTERNATIONAL HYDRAULICS, INC., MENTOR, OHIO. IT MAY NOT BE DUPLICATED OR USED FOR THE BASIS OF DESIGN OR MANUFACTURE, WITHOUT THE WRITTEN PERMISSION OF INTERNATIONAL HYDRAULICS, INC.

REVISIONS		BY	DATE
NR.	DESCRIPTION		

GENERAL TOLERANCE +/- .015

\*NOMINAL DIMENSIONS. FIT TOLERANCES TO SUIT PCB APPLICATION



REF. RECTANGULAR WIRE FORM/STRIP CSA = 0.0085 in<sup>2</sup> (MIN CSA = .0078 in<sup>2</sup>)

NOT FOR USE WHERE FAILURE CREATES A HAZARD TO HUMAN HEALTH OR SAFETY. ALL PRODUCTS ARE SUBJECT TO THIS FULL DISCLAIMER: <http://www.ihconnectors.com/disclaimer.html>

FOR FURTHER INFORMATION ON THE PROPER USE OF THIS PRODUCT IN SPECIFIC APPLICATIONS SEE [http://www.ihconnectors.com/High\\_Amp\\_Wide\\_Trace\\_PCB\\_Wire\\_Connection.html](http://www.ihconnectors.com/High_Amp_Wide_Trace_PCB_Wire_Connection.html) <http://www.ihconnectors.com/Technical-Data-Installation.htm>

TIN PLATED SOLDERABLE EMS 1001

<b>International Hydraulics</b> 7700 ST. CLAIR AVE., MENTOR, OH	DWG BY: CDMR	TITLE: STRIP BUS STAPLE, B12 HOLE	REV# 2
	DATE: 2/6/15	MATERIAL: PATTERN	FINISH: IHI TO PLATE
			DWG# 14307-STRIP-PCB-HOLES