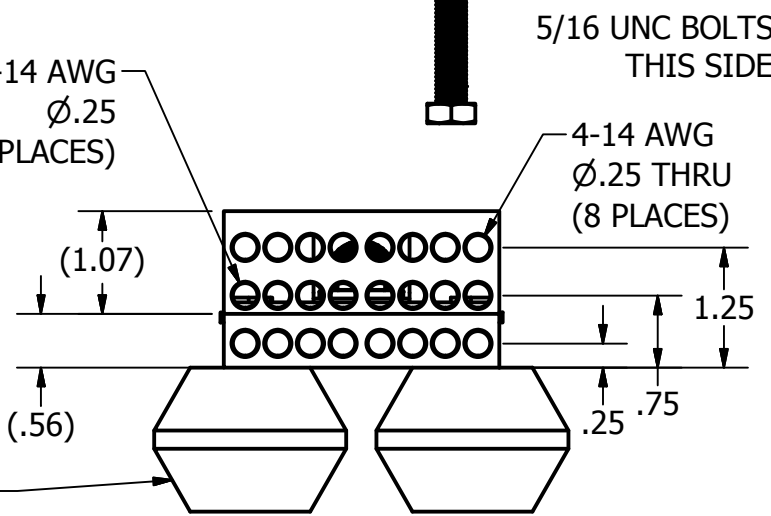
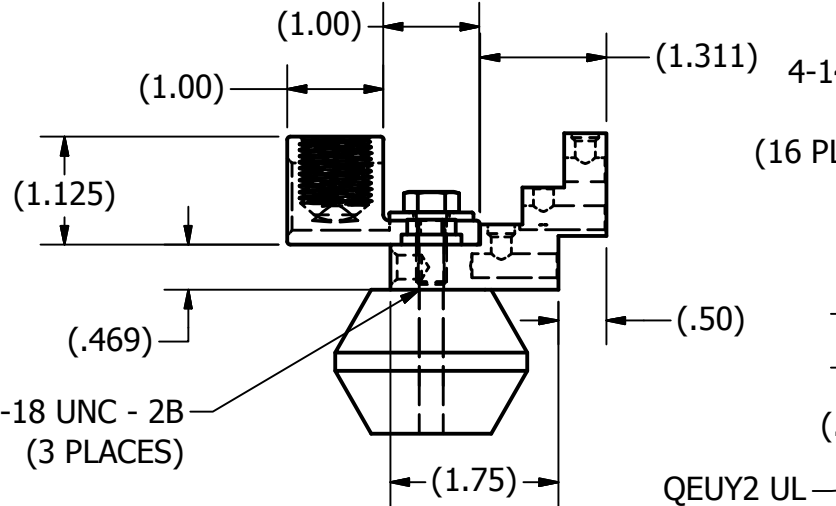
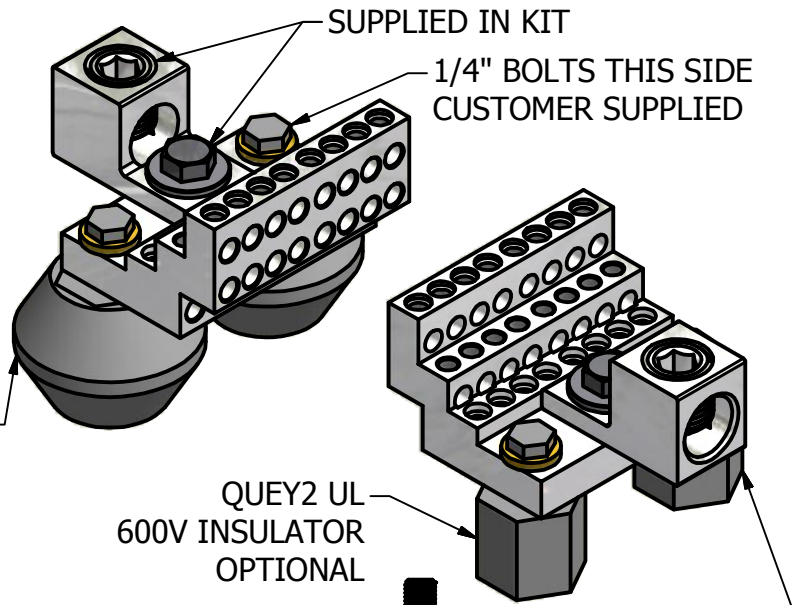
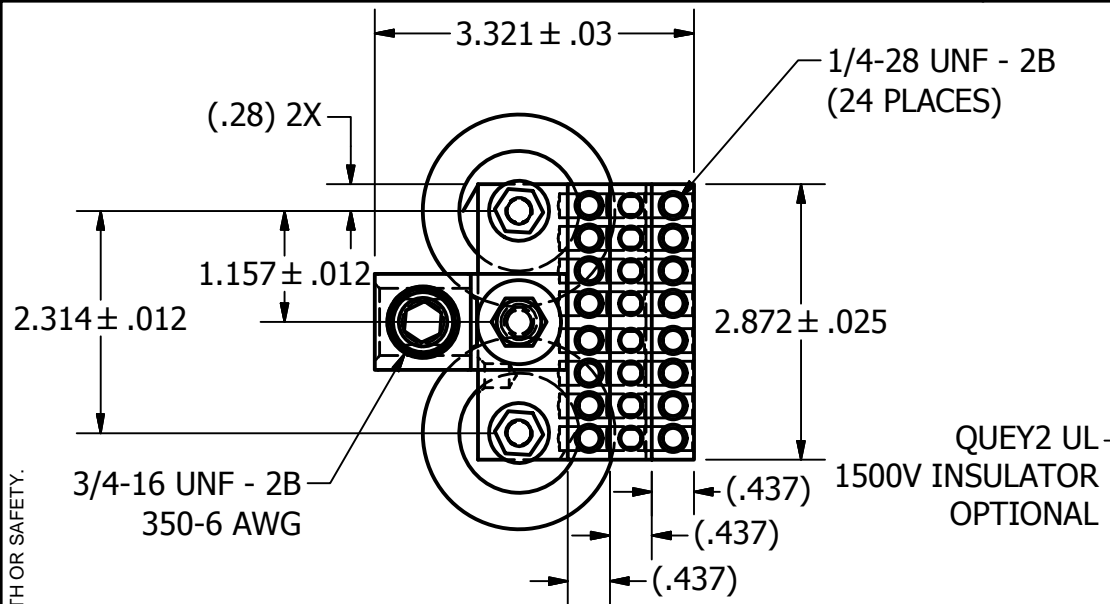


NOT FOR USE WHERE FAILURE CREATES A HAZARD TO HUMAN HEALTH OR SAFETY.
 ALL PRODUCTS ARE SUBJECT TO THIS FULL DISCLAIMER:
<http://www.ihconnectors.com/disclaimer.html>

FOR FURTHER INFORMATION ON THE PROPER
 USE OF THIS PRODUCT IN SPECIFIC APPLICATIONS SEE
<http://www.ihconnectors.com/GuideToFlexibleFineStrandedWire>
<http://www.ihconnectors.com/Technical-Data-Installation.htm>



QEUY2 UL
 STANDOFF INSULATORS
 (2 PLACES)
 OPTIONAL

B.O.M.		
QUANTITY	PART	DESCRIPTION
1	24S4-3	24 X 4 -14 AWG UL LISTED, CSA
1	S350	350-6 AWG UL LISTED, CSA
1	5/16UNC	HEX CAP BOLT AND WASHER

ZMVV UL CATEGORY
 ZMVV UL CATEGORY

NOTE: INSULATING STANDOFFS AND MOUNTING FASTENERS SOLD SEPARATELY

THIS DRAWING AND DESIGN ARE THE PROPERTY
 OF INTERNATIONAL HYDRAULICS, INC.,
 CLEVELAND, OHIO, AND MAY NOT BE DUPLICATED,
 USED FOR THE BASIS OF DESIGN OR
 MANUFACTURE WITHOUT THE WRITTEN
 PERMISSION OF INTERNATIONAL HYDRAULICS,
 INC., CLEVELAND, OHIO.

INTERNATIONAL HYDRAULICS, INC.
 TITLE: 24S4-3/S350-KIT (SALES)

GENERAL TOLERANCES
 ±.015 (±0.038)

CONNECTOR

MATERIAL:
 6061-T6

SIZE: A	DRAWN BY: FJBarcia	DWG NO.:	REV:
		24S4-3-S350 KIT	0

FINISH:
 TIN PLATE EMS

DATE:
 9/12/14

IHI CONNECTORS