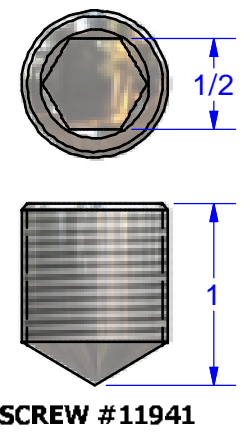
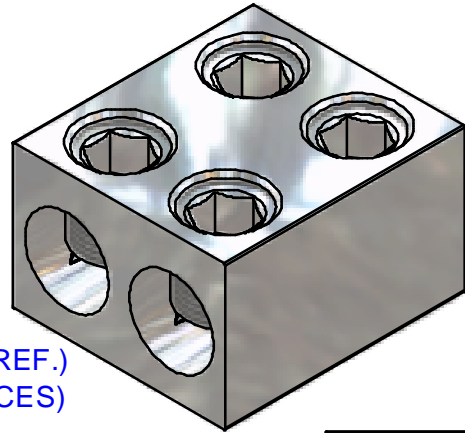
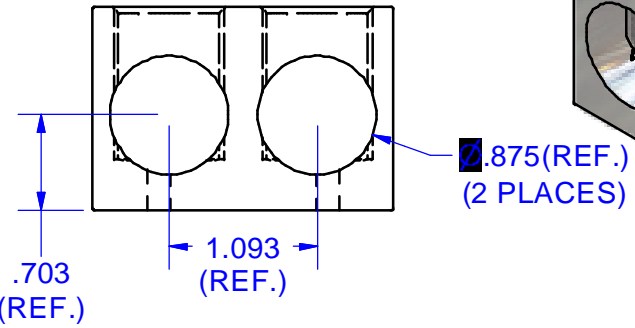


**PART MARKED**  
 IHI  
 2P500  
 UL LOGO  
 500MCM-6  
 AL7CU



**SCREW #11941**

NOT FOR USE WHERE FAILURE CREATES A HAZARD TO HUMAN HEALTH OR SAFETY. ALL PRODUCTS ARE SUBJECT TO THIS FULL DISCLAIMER: <http://www.ihconnectors.com/disclaimer.html>

FOR FURTHER INFORMATION ON THE PROPER USE OF THIS PRODUCT IN SPECIFIC APPLICATIONS SEE <http://www.ihconnectors.com/GuideToFlexFlexibleFineStrandedWireCableMechanicalLugsFAQ.html>  
<http://www.ihconnectors.com/Technical-Data-Installation.htm>

<small>THIS DRAWING AND DESIGN ARE THE PROPERTY OF INTERNATIONAL HYDRAULICS, INC., CLEVELAND, OHIO, AND MAY NOT BE COPIED, REPRODUCED, OR USED FOR ANY OTHER PURPOSE WITHOUT THE WRITTEN PERMISSION OF INTERNATIONAL HYDRAULICS, INC., CLEVELAND, OHIO.</small>				
<b>INTERNATIONAL HYDRAULICS, INC.</b>				
TITLE: <b>2P500 CONNECTOR</b>				
GENERAL TOLERANCES ± .015 (±0,38)	SIZE:	DRAWN BY:	DWG NO.:	REV:
MATERIAL: <b>6061-T6 (11499)</b>		<b>TDS</b>	<b>2P500-(SALES)</b>	
FINISH: <b>TIN PLATE EMS</b>	DATE:	THIS IS A CAD DRAWING, DO NOT MANUALLY REVISE		
	<b>11/20/08</b>			