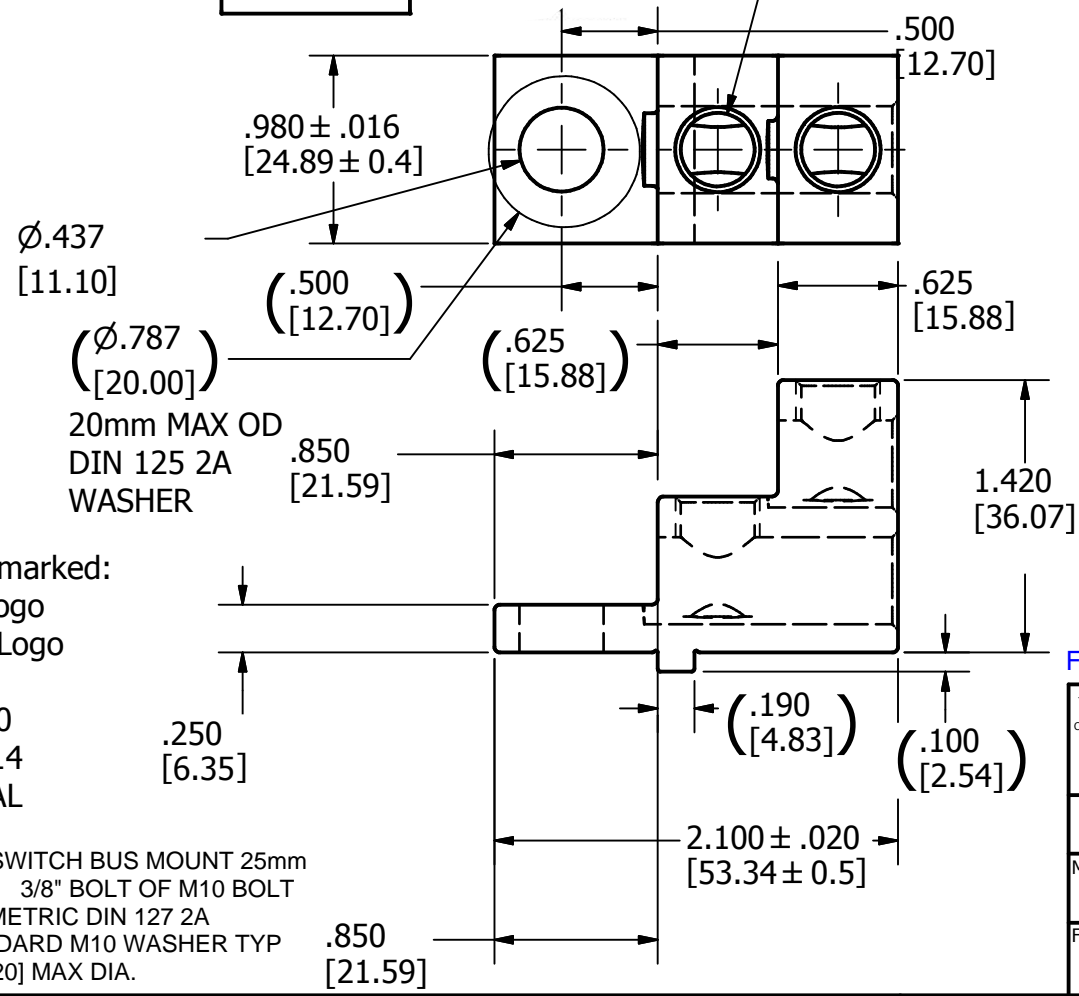
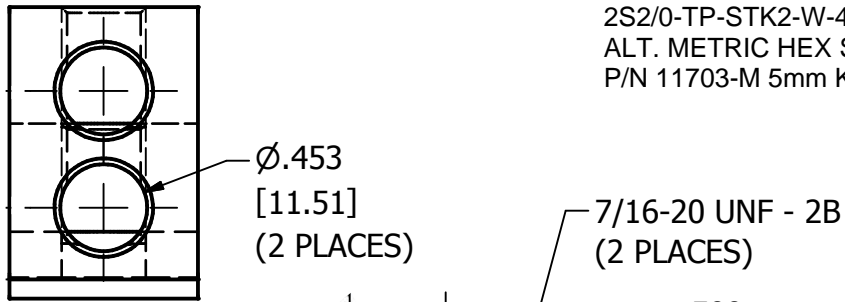
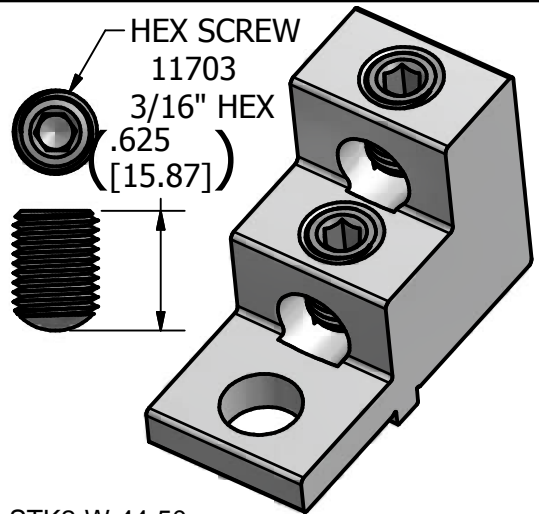


NOT FOR USE WHERE FAILURE CREATES A HAZARD TO HUMAN HEALTH OR SAFETY. ALL PRODUCTS ARE SUBJECT TO THIS FULL DISCLAIMER: <http://www.ihconnectors.com/disclaimer.html>
 FOR FURTHER INFORMATION ON THE PROPER USE OF THIS PRODUCT IN SPECIFIC APPLICATIONS SEE

<http://www.ihconnectors.com/GuideToFlexFlexibleFineStrandedWireCableMechanicalLugsFAQ.html>

<http://www.ihconnectors.com/Technical-Data-Installation.htm>



Part marked:
UL Logo
CSA Logo
IHI
2S2/0
2/0-14
CU9AL

FOR SWITCH BUS MOUNT 25mm
WIDE 3/8" BOLT OF M10 BOLT
USE METRIC DIN 127 2A
STANDARD M10 WASHER TYP
.787 [20] MAX DIA.



Pressure Terminal
Connectors
NRTL Cat. No.
2S2/0
2/0-14 CU9AL

Wire Size Copper (solid to semi-rigid stranded and metric mm ² , #)	Rating °C	Wire Size FLEX Copper (#)	Wire Size aluminum	Torque (all drive means)
N/A	90	1/0-1	N/A	75
N/A		1-4	N/A	55
2/0-3		4-8	2/0-3	50
4-6		8-10	4-6	45
8		10-14	8	40
10-14		N/A	10-12	35

(#) FLEX - covers stranding classes within G, H, I/DLO,
Metric class5 and K/MTW (#) mm2 sizes within
AWG/kcmil ranges are included.
PARALLELING: Rated for PAIRS of wires.

<http://www.lugsdirect.com/GuideToFlexFlexibleFineStrandedWireCableMechanicalLugsFAQ.html>

FLEX WIRE 1/0-14 AWG

THIS DRAWING AND DESIGN ARE THE PROPERTY OF INTERNATIONAL HYDRAULICS, INC., CLEVELAND, OHIO, AND MAY NOT BE DUPLICATED, USED FOR THE BASIS OF DESIGN OR MANUFACTURE WITHOUT THE WRITTEN PERMISSION OF INTERNATIONAL HYDRAULICS, INC., CLEVELAND, OHIO.					INTERNATIONAL HYDRAULICS, INC.					
GENERAL TOLERANCES $\pm .015$ ($\pm 0,038$)					TITLE: DUAL S 2/0-14 LUG					
MATERIAL: 6061-T6 X1075TP-STK2					SIZE: A		DRAWN BY: TDS		DWG NO.: 2S2-0-TP-STK2-W-44-50-HEX 1	
FINISH: TIN PLATED					DATE: 3/29/17		IHI CONNECTORS			
2S2-0-TP-SKT2-W-44-50-SALES										