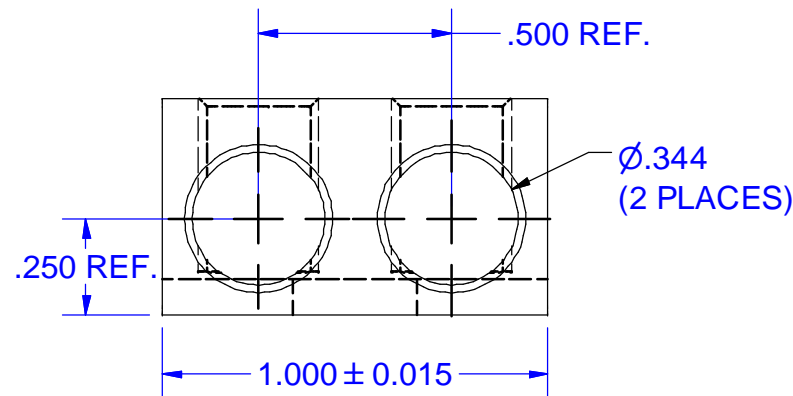
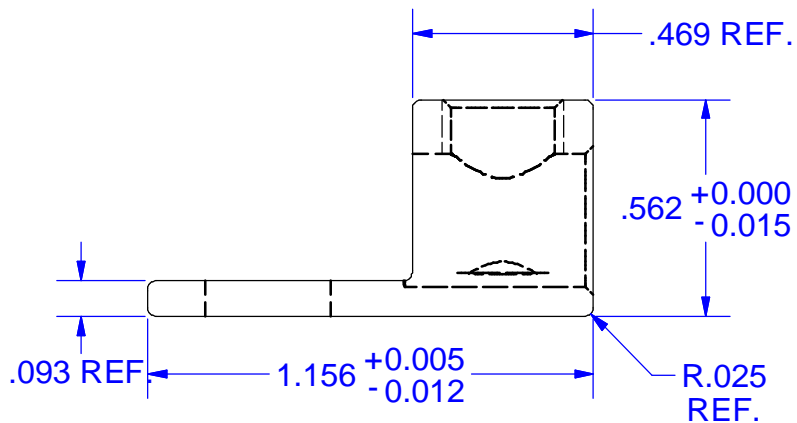


SCREW #12786  
 (STEEL)

Cat. No. S2 Style No. ALL  
 ■ Drill, Enlarge, or Modify Mounting Holes  
 1) Increase hole(s) dia. to 5/16 bolt (.323 drill dia.)  
 2) Move location of mounting hole(s)  
 3) If buying blank lug, put custom hole(s) in.



**MARKING**

S2  
 IHI Logo  
 CSA Logo  
 UL Logo  
 2-14  
 CU9AL

IHI UL/CSA Installation Guide to Drill or Enlarge Mounting Holes:  
<https://lugsdirect.com/PDF%20Documents/IHI-MTG-HOLE-FIELD-MODS-UL&CSA-CERTIFICATIONS.pdf>

**NOTE:**  
 PARTS TO BE SHIPPED WITH TORQUE VALUES ON UNIT CONTAINER

NOT FOR USE WHERE FAILURE CREATES A HAZARD TO HUMAN HEALTH OR SAFETY. ALL PRODUCTS ARE  
 SUBJECT TO THIS FULL DISCLAIMER: <http://www.ihconnectors.com/disclaimer.html>

FOR FURTHER INFORMATION ON THE PROPER USE OF THIS PRODUCT IN SPECIFIC APPLICATIONS SEE  
<http://www.ihconnectors.com/GuideToFlexFlexibleFineStrandedWireCableMechanicalLugsFAQ.html>

<http://www.ihconnectors.com/Technical-Data-Installation.htm>

<small>THIS DRAWING AND DESIGN ARE THE PROPERTY OF INTERNATIONAL HYDRAULICS, INC., CLEVELAND, OHIO, AND MAY NOT BE DUPLICATED, USED FOR THE BASIS OF DESIGN OR MANUFACTURE WITHOUT THE WRITTEN PERMISSION OF INTERNATIONAL HYDRAULICS, INC., CLEVELAND, OHIO.</small>		<b>INTERNATIONAL HYDRAULICS, INC.</b>		
GENERAL TOLERANCES ±.015 (±0.038)		<b>TITLE:</b> <b>2S2-HEX          CONNECTOR</b>		
MATERIAL: <b>6061-T6          (1011)</b>	SIZE:	DRAWN BY: <b>TDS</b>	DWG NO.: 2S2-HEX (SALES)	REV:
FINISH: <b>TIN PLATE          EMS</b>	DATE: <b>8/17/09</b>	<b>IHI CONNECTORS</b>		