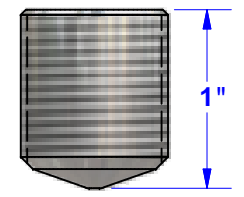
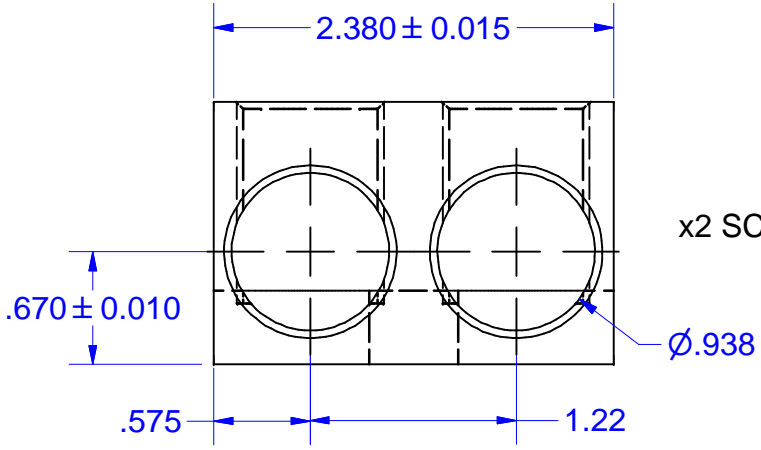
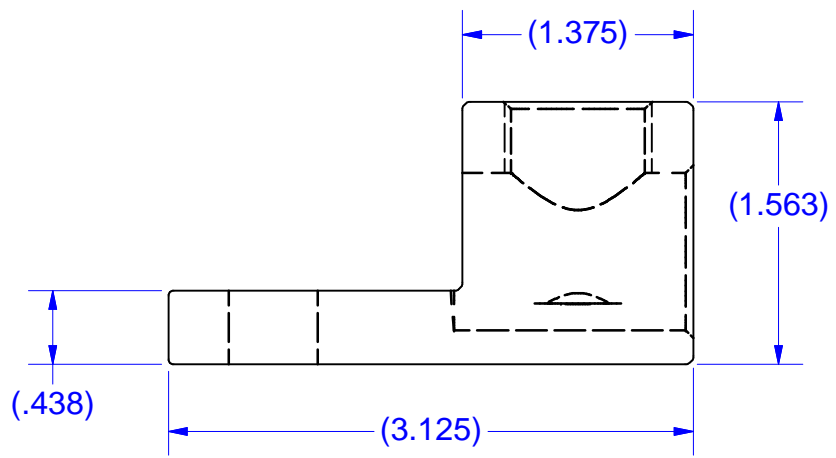
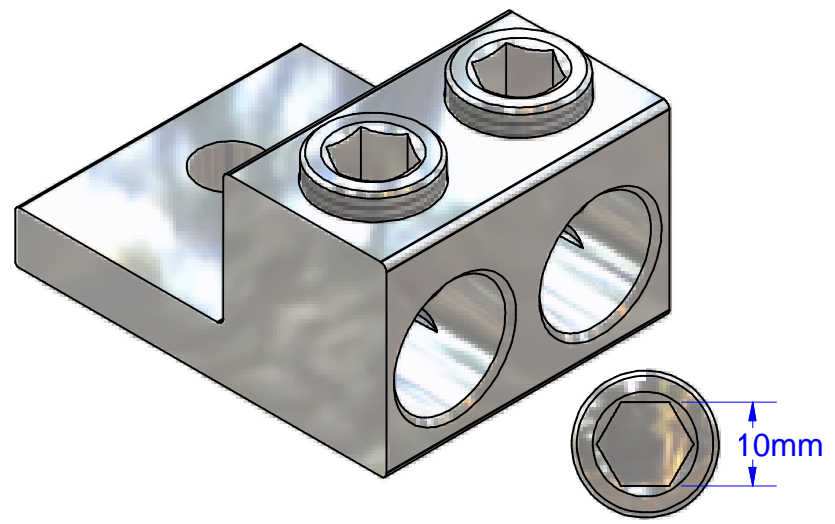
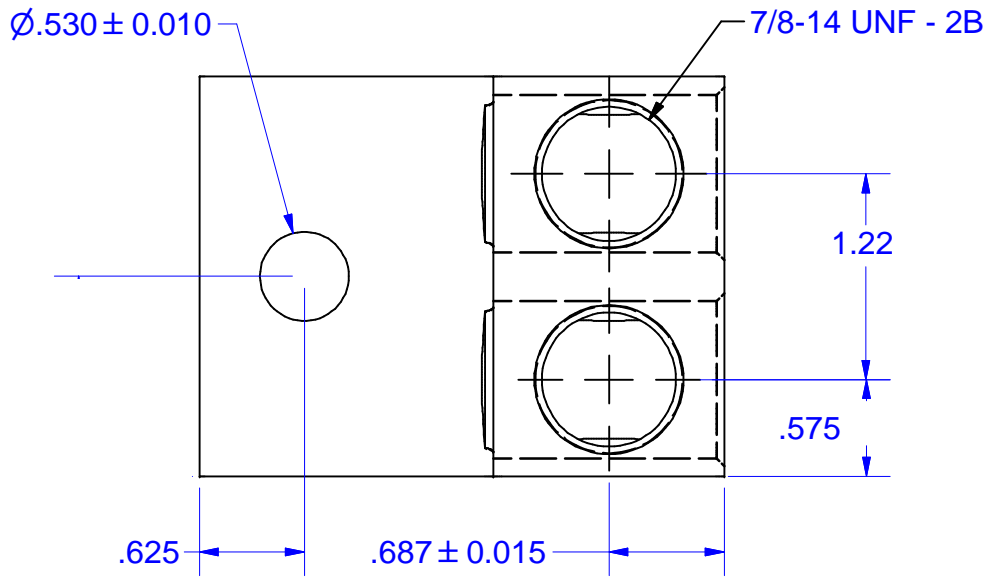


REVISION HISTORY			
REV	DESCRIPTION	DATE	BY



x2 SCREWS # 14141-M

NOT FOR USE WHERE FAILURE CREATES A HAZARD TO HUMAN HEALTH OR SAFETY. ALL PRODUCTS ARE SUBJECT TO THIS FULL DISCLAIMER: <http://www.ihconnectors.com/disclaimer.html>

FOR FURTHER INFORMATION ON THE PROPER USE OF THIS PRODUCT IN SPECIFIC APPLICATIONS SEE <http://www.ihconnectors.com/GuideToFlexFlexibleFineStrandedWireCableMechanicalLugsFAQ.html>

<http://www.ihconnectors.com/Technical-Data-Installation.htm>

<small>THIS DRAWING AND DESIGN ARE THE PROPERTY OF INTERNATIONAL HYDRAULICS, INC., CLEVELAND, OHIO, AND MAY NOT BE DUPLICATED, USED FOR THE BASIS OF DESIGN OR MANUFACTURE WITHOUT THE WRITTEN PERMISSION OF INTERNATIONAL HYDRAULICS, INC., CLEVELAND, OHIO.</small>				INTERNATIONAL HYDRAULICS, INC.			
GENERAL TOLERANCES $\pm .015 (\pm 0.038)$				TITLE: 2S600-53-63-M (SALES) CONNECTOR <small>cdmr rev 1 3-21-2013</small>			
MATERIAL: 6061-T6 X2S600		SIZE:	DRAWN BY: TDS	DWG NO.: 2S600-SALES		REV: R1	
FINISH: TIN PLATE EMS		DATE: 11/19/08 4/20/2015		THIS IS A CAD DRAWING, DO NOT MANUALLY REVISE			