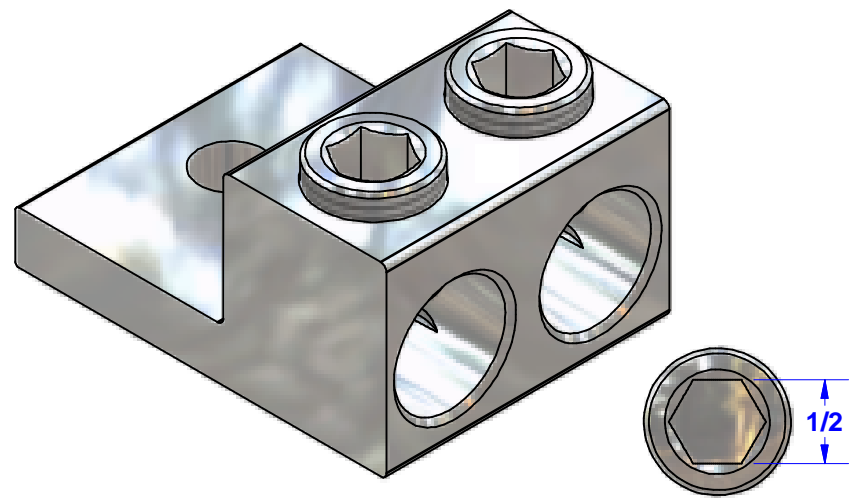
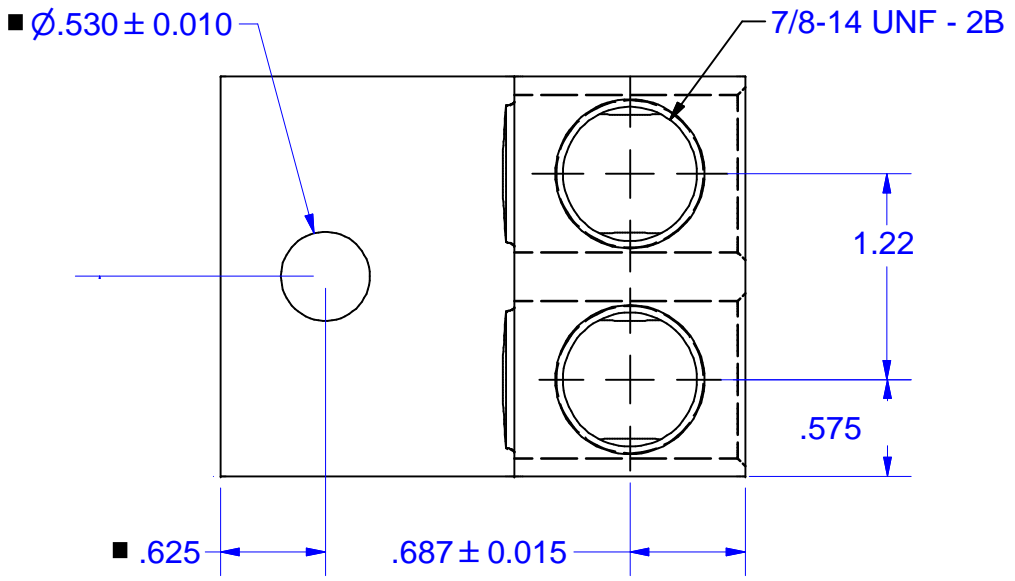
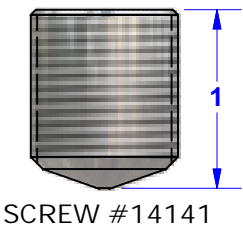
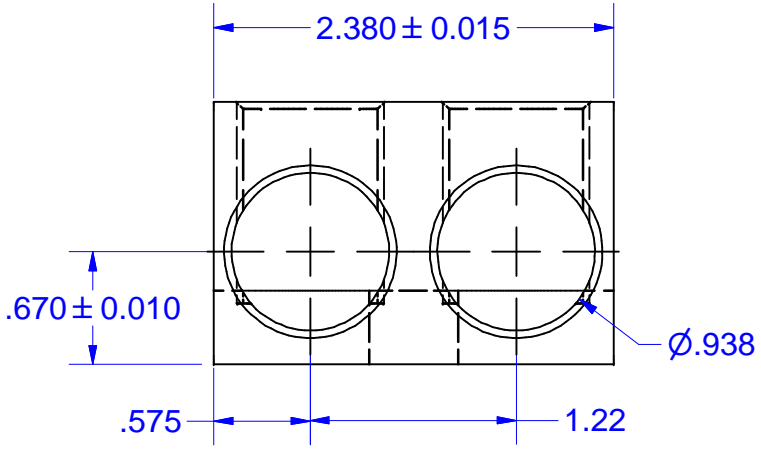
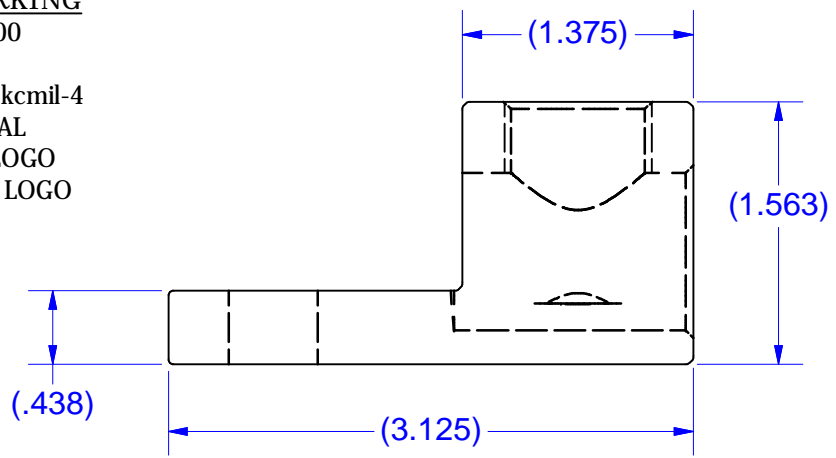


REVISION HISTORY			
REV	DESCRIPTION	DATE	BY



**MARKING**  
 2S600  
 IHI  
 600 kcmil-4  
 CU9AL  
 UL LOGO  
 CSA LOGO



**Cat. No. 2S600 Style No. 1**

- Drill, Enlarge, or Modify Mounting Holes
  - 1) Increase hole(s) dia. to 5/8 bolt.
  - 2) Move location of mounting hole(s)
  - 3) If buying blank lug, put custom hole(s) in.
- IHI UL/CSA Installation Guide to Drill or Enlarge Mounting Holes:  
<https://lugsdirect.com/PDF Documents/IHI-MTG-HOLE-FIELD-MODS-UL&CSA-CERTIFICATIONS.pdf>

NOT FOR USE WHERE FAILURE CREATES A HAZARD TO HUMAN HEALTH OR SAFETY. ALL PRODUCTS ARE SUBJECT TO THIS FULL DISCLAIMER: <http://www.ihconnectors.com/disclaimer.html>

FOR FURTHER INFORMATION ON THE PROPER USE OF THIS PRODUCT IN SPECIFIC APPLICATIONS SEE <http://www.ihconnectors.com/GuideToFlexFlexibleFineStrandedWireCableMechanicalLugsFAQ.html>

<http://www.ihconnectors.com/Technical-Data-Installation.htm>

**FLEX WIRE 444 KCMIL-2 AWG**

THIS DRAWING AND DESIGN ARE THE PROPERTY OF INTERNATIONAL HYDRAULICS, INC., CLEVELAND, OHIO, AND MAY NOT BE DUPLICATED, USED FOR THE BASIS OF DESIGN OR MANUFACTURE WITHOUT THE WRITTEN PERMISSION OF INTERNATIONAL HYDRAULICS, INC., CLEVELAND, OHIO.

**INTERNATIONAL HYDRAULICS, INC.**

GENERAL TOLERANCES  
 ±.015 (±0.038)

TITLE:  
**2S600 (SALES)**  
**CONNECTOR** cdmr rev 1 3-21-2013

MATERIAL: **6061-T6**  
**X2S600**

SIZE:  
 DRAWN BY: **TDS**

DWG NO.: **2S600-SALES**  
 REV: **R1**

FINISH: **TIN PLATE**  
**EMS**

DATE: **11/19/08**

THIS IS A CAD DRAWING, DO NOT MANUALLY REVISE