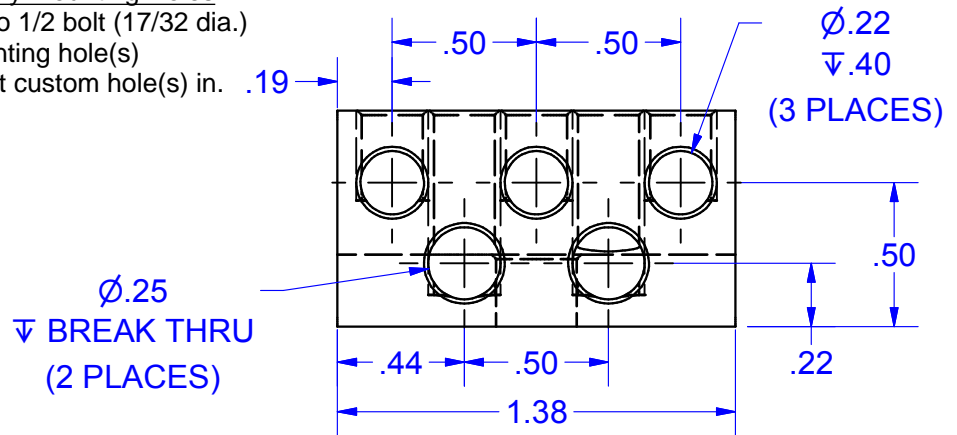
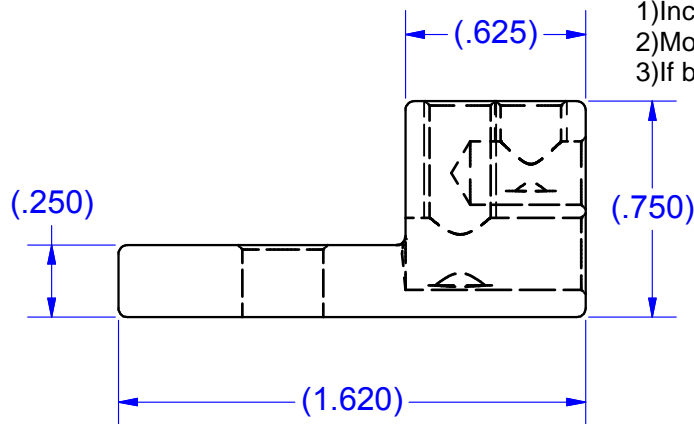


IHI UL/CSA Installation Guide to Drill or Enlarge Mounting Holes:  
<https://lugsdirect.com/PDF%20Documents/IHI-MTG-HOLE-FIELD-MODS-UL&CSA-CERTIFICATIONS.pdf>

Cat. No. S6-3 Style No. ALL

■ Drill, Enlarge, or Modify Mounting Holes

- 1) Increase hole(s) dia. to 1/2 bolt (17/32 dia.)
- 2) Move location of mounting hole(s)
- 3) If buying blank lug, put custom hole(s) in. .19



**MARKING (Only After Approval)**

UL Logo  
 CSA Logo  
 AL9CU  
 IHI  
 S6 6-14  
 S4 4-14

NOT FOR USE WHERE FAILURE CREATES A HAZARD TO HUMAN HEALTH OR SAFETY. ALL PRODUCTS ARE SUBJECT TO THIS FULL DISCLAIMER: <http://www.ihiconnectors.com/disclaimer.html>

FOR FURTHER INFORMATION ON THE PROPER USE OF THIS PRODUCT IN SPECIFIC APPLICATIONS SEE <http://www.ihiconnectors.com/GuideToFlexFlexibleFineStrandedWireCableMechanicalLugsFAQ.html>

<http://www.ihiconnectors.com/Technical-Data-Installation.htm>

THIS DRAWING AND DESIGN ARE THE PROPERTY OF INTERNATIONAL HYDRAULICS, INC., CLEVELAND, OHIO, AND MAY NOT BE DUPLICATED, USED FOR THE BASIS OF DESIGN OR MANUFACTURE WITHOUT THE WRITTEN PERMISSION OF INTERNATIONAL HYDRAULICS, INC., CLEVELAND, OHIO.		INTERNATIONAL HYDRAULICS, INC.		
<b>GENERAL TOLERANCES ±.015 (±0.038)</b>		TITLE: <b>3S6-2S4-HEX CONNECTOR</b>		
MATERIAL: <b>6061-T6 x4444</b>	SIZE:	DRAWN BY: <b>TDS</b>	DWG NO.: 3S6-2S4-HEX (SALES)	REV: <b>1</b>
FINISH: <b>TIN PLATE EMS</b>	DATE: <b>1/30/12</b>	<b>IHI CONNECTORS</b>		