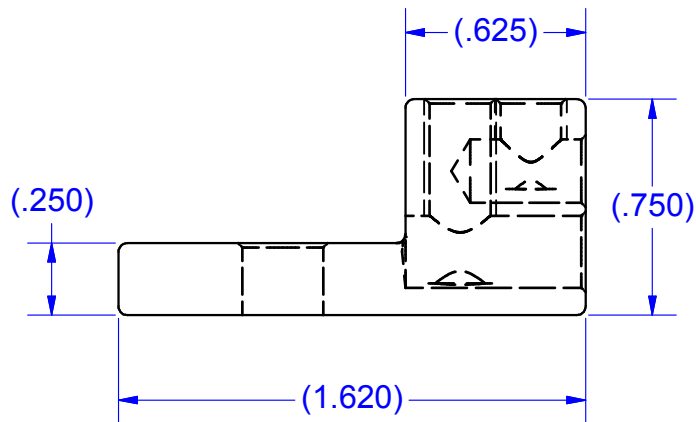
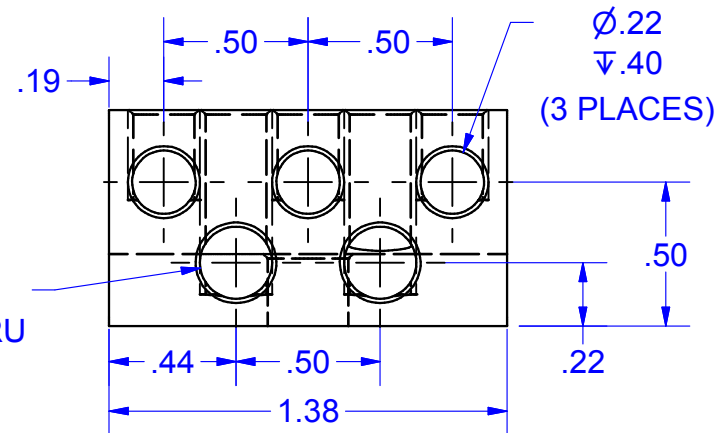


SCREW #14975
(STEEL)



$\varnothing .25$
▽ BREAK THRU
(2 PLACES)



MARKING (Only After Approval)

UL Logo
CSA Logo
AL9CU
IHI
S6 6-14
S4 4-14

NOT FOR USE WHERE FAILURE CREATES A HAZARD TO HUMAN HEALTH OR SAFETY. ALL PRODUCTS ARE SUBJECT TO THIS FULL DISCLAIMER: <http://www.ihconnectors.com/disclaimer.html>

FOR FURTHER INFORMATION ON THE PROPER USE OF THIS PRODUCT IN SPECIFIC APPLICATIONS SEE <http://www.ihconnectors.com/GuideToFlexFlexibleFineStrandedWireCableMechanicalLugsFAQ.html>

<http://www.ihconnectors.com/Technical-Data-Installation.htm>

THIS DRAWING AND DESIGN ARE THE PROPERTY OF INTERNATIONAL HYDRAULICS, INC., CLEVELAND, OHIO, AND MAY NOT BE DUPLICATED, USED FOR THE BASIS OF DESIGN OR MANUFACTURE WITHOUT THE WRITTEN PERMISSION OF INTERNATIONAL HYDRAULICS, INC., CLEVELAND, OHIO.		INTERNATIONAL HYDRAULICS, INC.		
GENERAL TOLERANCES ±.015 (±0.038)		TITLE: 3S6-2S4-HEX-M CONNECTOR		
MATERIAL: 6061-T6 x4444	SIZE:	DRAWN BY: TDS	DWG NO.: 3S6-2S4-HEX-M(SALES)1	REV:
FINISH: TIN PLATE EMS	DATE: 1/30/12	IHI CONNECTORS		