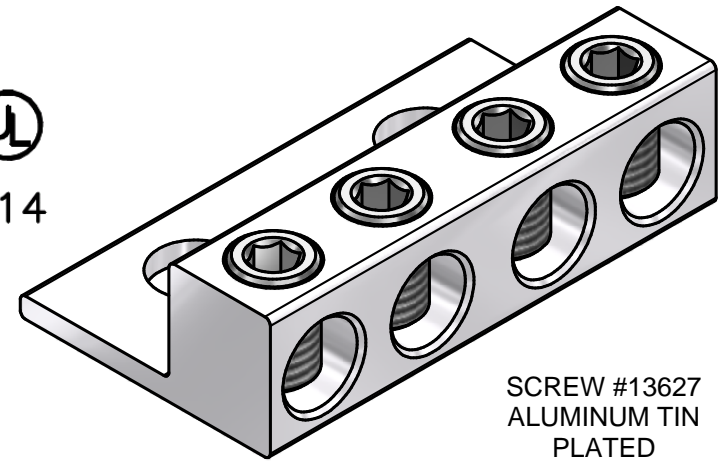


FLEX WIRE 4-12 AWG

UL AND CSA MARKING

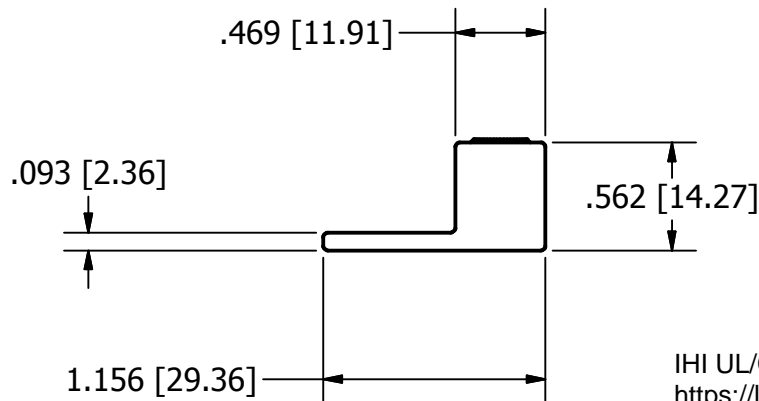


SCREW #13627
ALUMINUM TIN
PLATED

Cat. No. S2 Style No. ALL

■ Drill, Enlarge, or Modify Mounting Holes

- 1) Increase hole(s) dia. to 5/16 bolt (.323 drill dia.)
- 2) Move location of mounting hole(s)
- 3) If buying blank lug, put custom hole(s) in.



MOUNTING BOLTS: (2) EACH 5/16 OR M8

MAXIMUM CURRENT:

115A X 4 WIRES = 460A 75C

130A X 4 WIRES = 520A 90C

ZMVV LISTED FOR GROUNDING USE

SEE ALSO 600 VOLT STANDOFF KITS FOR POWER ISOLATION OR FLOATING GROUND

IHI UL/CSA Installation Guide to Drill or Enlarge Mounting Holes:

<https://lugsdirect.com/PDF%20Documents/IHI-MTG-HOLE-FIELD-MODS-UL&CSA-CERTIFICATIONS.pdf>

NOT FOR USE WHERE FAILURE CREATES A HAZARD TO HUMAN HEALTH OR SAFETY. ALL PRODUCTS ARE SUBJECT TO THIS FULL DISCLAIMER: <http://www.ihiconnectors.com/disclaimer.html>

FOR FURTHER INFORMATION ON THE PROPER USE OF THIS PRODUCT IN SPECIFIC APPLICATIONS SEE <http://www.ihiconnectors.com/GuideToFlexFlexibleFineStrandedWireCableMechanicalLugsFAQ.html>

<http://www.ihiconnectors.com/Technical-Data-Installation.htm>



Expanded wire range with use of ferrules.
TORK KRIMP®, self crimping of standard UL Listed ferrules protected by PATENT No. 10630005.
PATENT: www.ihiconnectors.com/patent.html
For full instructions: <https://lugsdirect.com/PDF Documents/IHI Agency Labels/S2-AGENCY-LABEL.pdf>

THIS DRAWING AND DESIGN ARE THE PROPERTY OF INTERNATIONAL HYDRAULICS, INC., CLEVELAND, OHIO, AND MAY NOT BE DUPLICATED, USED FOR THE BASIS OF DESIGN OR MANUFACTURE WITHOUT THE WRITTEN PERMISSION OF INTERNATIONAL HYDRAULICS, INC., CLEVELAND, OHIO.		INTERNATIONAL HYDRAULICS, INC.		
GENERAL TOLERANCES ±.015 (±0,39)		TITLE: 4 PORT POWER & GROUND LUG		
MATERIAL: 6061-T6		SIZE: A	DRAWN BY: cridley	DWG NO.: 4S2-13627 (SALES)
FINISH: TIN PLATED		DATE: 12-19-2016	REV: 0	
IHI CONNECTORS				