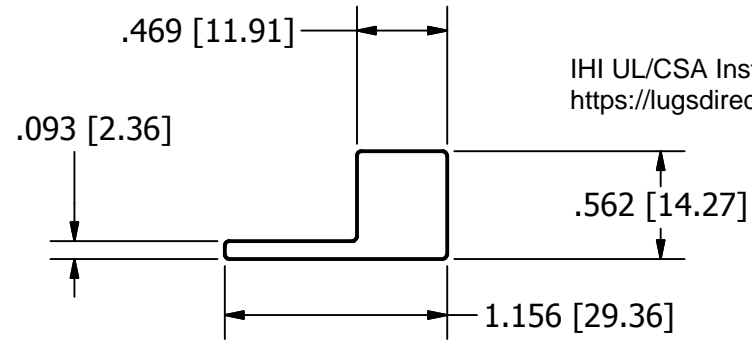


Cat. No. S2 Style No. ALL  
 ■ Drill, Enlarge, or Modify Mounting Holes  
 1) Increase hole(s) dia. to 5/16 bolt (.323 drill dia.)  
 2) Move location of mounting hole(s)  
 3) If buying blank lug, put custom hole(s) in.

IHI UL/CSA Installation Guide to Drill or Enlarge Mounting Holes:  
<https://lugsdirect.com/PDF%20Documents/IHI-MTG-HOLE-FIELD-MODS-UL&CSA-CERTIFICATIONS.pdf>



UL AND CSA MARKING  
 IHI S2  
 CU9AL 2-14

MOUNTING BOLTS: (3) EACH 5/16 OR M8  
 MAXIMUM CURRENT:  
 115A X 6 WIRES = 690A 75C  
 130A X 6 WIRES = 780A 90C  
 ZMVV LISTED FOR GROUNDING USE  
 SEE ALSO 600 VOLT STANDOFF KITS FOR POWER ISOLATION OR  
 FLOATING GROUND

THIS DRAWING AND DESIGN ARE THE PROPERTY OF INTERNATIONAL HYDRAULICS, INC., CLEVELAND, OHIO, AND MAY NOT BE DUPLICATED, USED FOR THE BASIS OF DESIGN OR MANUFACTURE WITHOUT THE WRITTEN PERMISSION OF INTERNATIONAL HYDRAULICS, INC., CLEVELAND, OHIO.		INTERNATIONAL HYDRAULICS, INC.		
GENERAL TOLERANCES ±.015 (±0,39)		TITLE: 6 PORT POWER & GRND LUG		
MATERIAL: 6061-T6		SIZE: A	DRAWN BY: cridley	DWG NO.: 6S2-HEX(SALES)
FINISH: TIN PLATE		DATE: 12-19-2016	REV: 0	
		<b>IHI CONNECTORS</b>		