

REV	DESCRIPTION	DATE	BY
1	INITIAL RELEASE	6/27/17	TDS

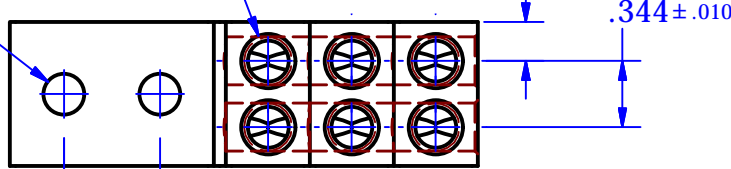
1/4-28 UNF - 2B
TO BOTTOM OF HOLES
□ Ø.281 (6 PLACES)

1/4-28 HOLE PATTERN

■ "A" = « .XXX
(2 PLACES)
CENTERED

■ "B" = .XXX

■ "C" = .XXX

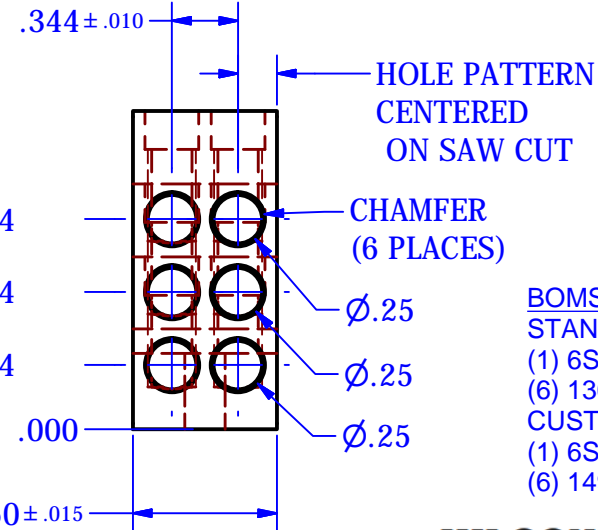
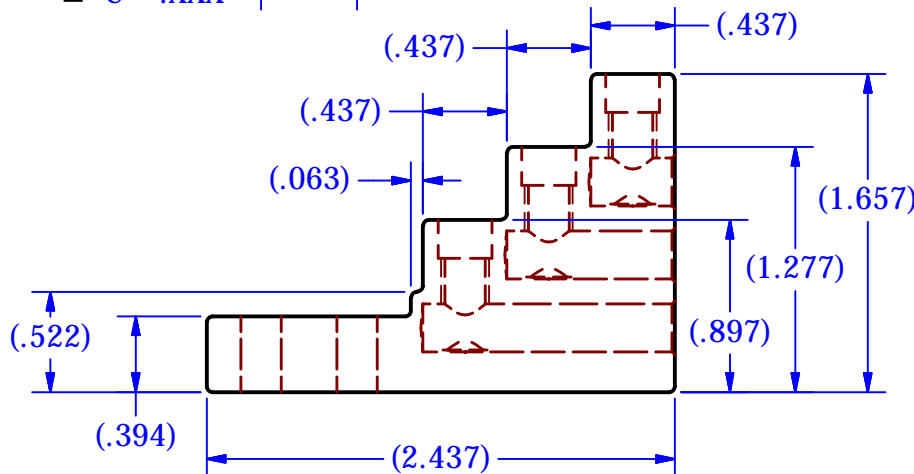
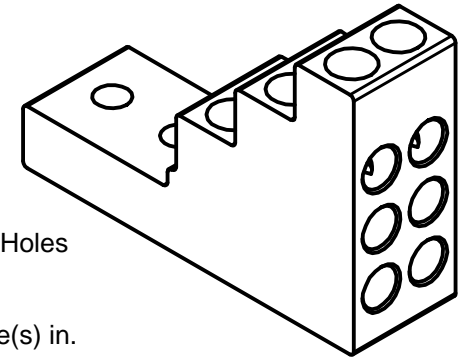


Cat No. S4-3 Style No. ALL

- Drill, Enlarge, or Modify Mounting Holes
- 1) Increase hole(s) dia. to 1/2 bolt.
- 2) Move location of mounting hole(s)
- 3) If buying blank lug, put custom hole(s) in.

IHI UL/CSA Installation Guide to Drill or Enlarge Mounting Holes:

<https://lugsdirect.com/PDF%20Documents/IHI-MTG-HOLE-FIELD-MODS-UL&CSA-CERTIFICATIONS.pdf>



- BOMS STANDARD**
- (1) 6S4-3-21-28-HEX
 - (6) 13695 SCREW (1/8) HEX CUSTOM OPTION
 - (1) 6S4-3-21-28-HEX-M
 - (6) 14975 SCREW (3mm)

PARTS MARKED

S4-3
IHI
UL Logo
CSA Logo
4-14 CU7AL

NOT FOR USE WHERE FAILURE CREATES A HAZARD TO HUMAN HEALTH OR SAFETY. ALL PRODUCTS ARE SUBJECT TO THIS FULL DISCLAIMER: <http://www.ihiconnectors.com/disclaimer.html>

FOR FURTHER INFORMATION ON THE PROPER USE OF THIS PRODUCT IN SPECIFIC APPLICATIONS SEE <http://www.ihiconnectors.com/GuideToFlexFlexibleFineStrandedWireCableMechanicalLugsFAQ.html>

<http://www.ihiconnectors.com/Technical-Data-Installation.htm>

IHI CONNECTORS

TABLE			
Part Number	Dia. "A"	Dim "B"	Dim "C"
6S4-3-BLANK	N/A	N/A	N/A
6S4-3-21-28	.210+.010-.005	.282	.500

MOUNTING HARDWARE ■
(2) #10 or M5 BOLTS
(2) M5 or (SAE) WASHERS

THIS DRAWING AND DESIGN ARE THE PROPERTY OF INTERNATIONAL HYDRAULICS, INC., CLEVELAND, OHIO, AND MAY NOT BE DUPLICATED, USED FOR THE BASIS OF DESIGN OR MANUFACTURE WITHOUT THE WRITTEN PERMISSION OF INTERNATIONAL HYDRAULICS, INC., CLEVELAND, OHIO.

GENERAL TOLERANCES
±.015 (±0,038)

MATERIAL:
XSX-3-STUB

FINISH:
TIN PLATE

INTERNATIONAL HYDRAULICS, INC.

TITLE:
**4-14 CU7AL 85A / CU 4 AWG 6 WIRE
3 TIER STACKED COMPACT LUG
WITH TURN PREVENT DUAL BOLTS**

SIZE: A	DRAWN BY: TDS	DWG NO.:	REV:
		6S4-3-21-28-HEX	1

DATE: 6/27/17	THIS IS A CAD DRAWING, DO NOT MANUALLY REVISE
------------------	---