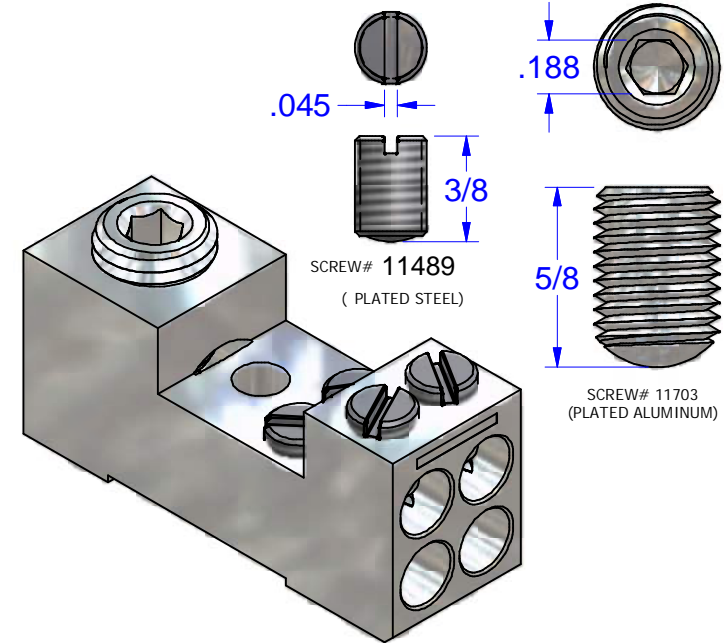
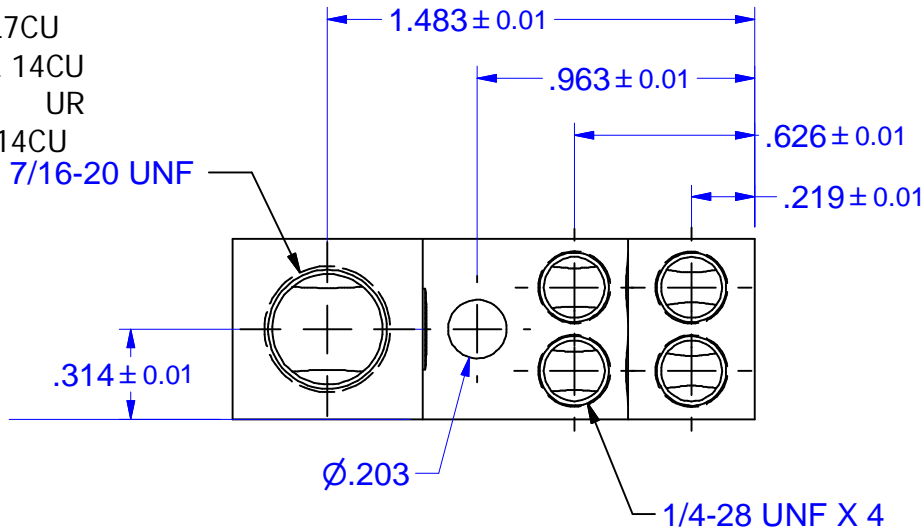


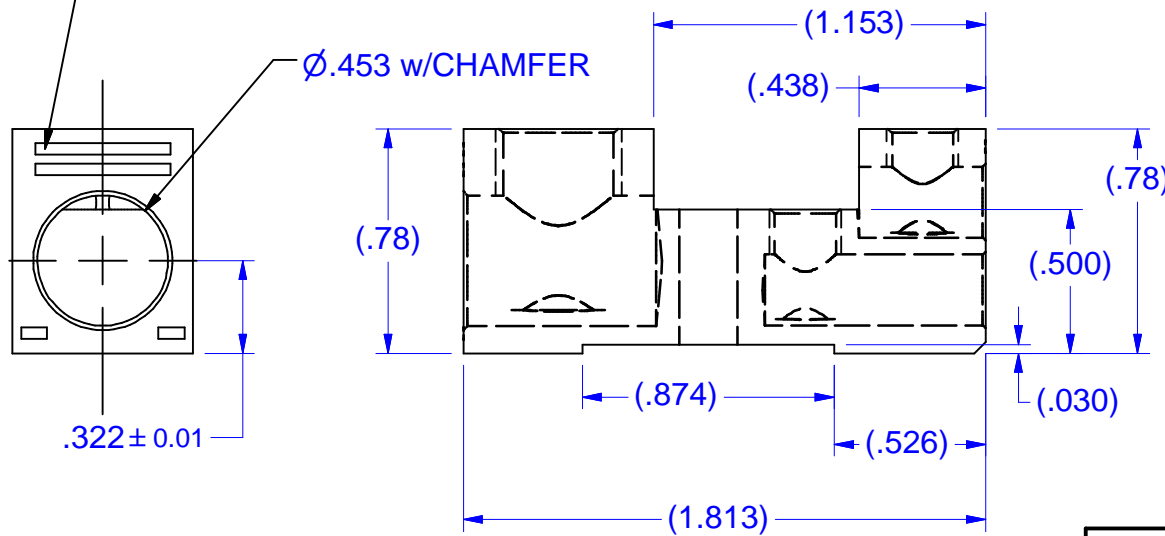
MARKING

LINE SIDE: 7006 AL7CU
 2/0-8AL 14CU
 IHI UR
 LOAD SIDE: 4-8AL-14CU

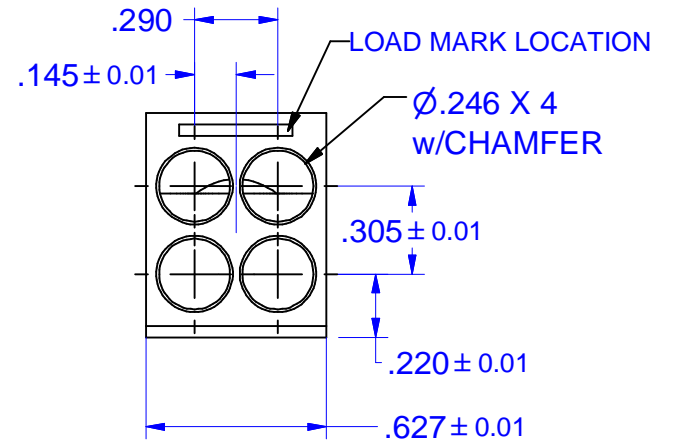
7/16-20 UNF



LINE MARK LOCATION



LOAD MARK LOCATION



THIS DRAWING AND DESIGN ARE THE PROPERTY OF INTERNATIONAL HYDRAULICS, INC., CLEVELAND, OHIO, AND MAY NOT BE DUPLICATED, USED FOR THE BASIS OF DESIGN OR MANUFACTURE WITHOUT THE WRITTEN PERMISSION OF INTERNATIONAL HYDRAULICS, INC., CLEVELAND, OHIO.

INTERNATIONAL HYDRAULICS, INC.

TITLE: 7006-IHI-SALES
 CONNECTOR

GENERAL TOLERANCES
 ±.015 (±0.038)

MATERIAL: 6061-T6
 ALUMINUM
 (X7006-P)

SIZE:

DRAWN BY:
 TDS

DWG NO.:
 7006-IHI (SALES)

REV:
 N/A

FINISH:
 TIN PLATE: EMS

DATE:
 2/10/10

IHI CONNECTORS

NOT FOR USE WHERE FAILURE CREATES A HAZARD TO HUMAN HEALTH OR SAFETY. ALL PRODUCTS ARE SUBJECT TO THIS FULL DISCLAIMER: <http://www.ihconnectors.com/disclaimer.html>

FOR FURTHER INFORMATION ON THE PROPER USE OF THIS PRODUCT IN SPECIFIC APPLICATIONS SEE <http://www.ihconnectors.com/Technical-Data-Installation.htm>