

**IHI S2-0-TP-27-44-HEX AFTERMARKET LUG FITS ABB* 100A SWITCHES COMPARES WITH OZXA-24 LUG
2/0-14 CLASS B & C WIRE WITH ADDITIONAL FLEX WIRE RATINGS 1/0-14 TURN PREVENT FEATURE
SIMILAR FIT TO OEM LUG**

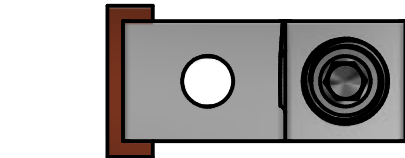
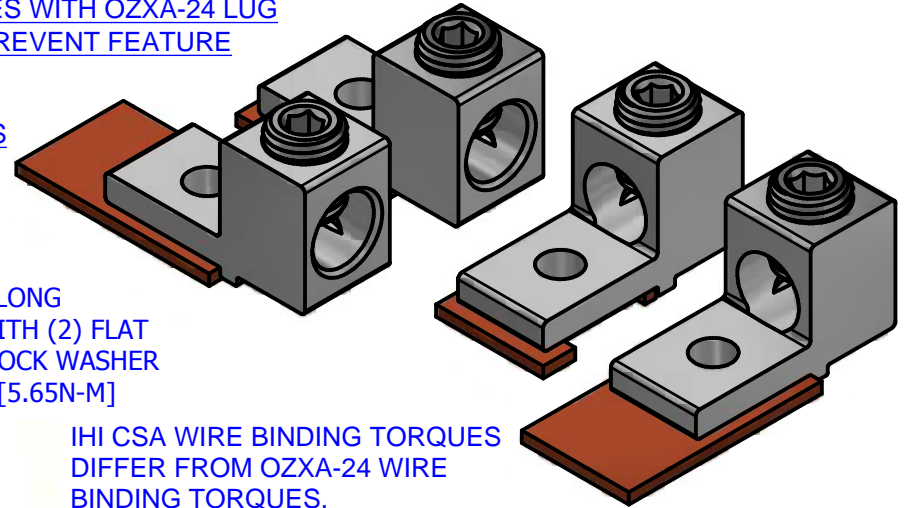
UL486A-B ZMVV CSA C22.2 NO. 65 CERTIFIED

S2/0-TP-27-44-HEX NOT UL98 OR UL508 RATED OR TESTED WITH ABB SWITCHES

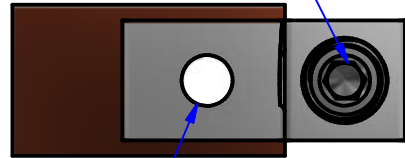
***ABB IS REGISTERED TRADEMARK OF ABB. IHI® CONNECTORS® IS NOT AFFILIATED WITH ABB.**

**S2-0-TP-27-44-HEX BOLTING
INSTRUCTIONS
PURCHASE SEPARATELY**

**1 PER LUG : 1/4-20 x 3/4" OR 1" LONG
GRADE 5 HEX CAP HEAD BOLT WITH (2) FLAT
WASHERS, 1 NUT, AND 1 SPLIT LOCK WASHER
TIGHTEN TO 50 IN-LBS TORQUE [5.65N-M]**



3/16" HEX SKT.



**Ø.27
[Ø6.7]**

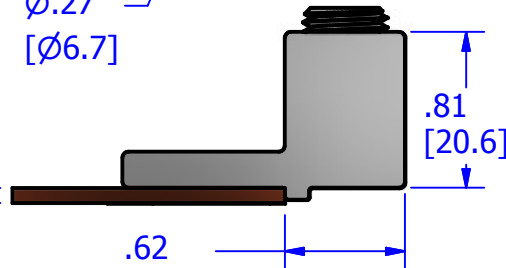


**IHI CSA WIRE BINDING TORQUES
DIFFER FROM OZXA-24 WIRE
BINDING TORQUES.**

**UL RATED ALTERNATE 120IN-LBS WIRE BINDING
TORQUES. SEE S2/0 AGENCY LABEL FOR DETAILS.**

UL CSA RATED WIRE SIZES, CLASSES AND BINDING SCREW TORQUE

**.079
[2.00]**



**IHI LUG PART NO.
S2-0-TP-27-44-HEX FITS *ABB 100
AMP SWITCHES / DISCONNECTS
NOT UL98 OR UL508 RATED OR
TESTED WITH ABB SWITCHES.
IT IS THE CUSTOMER'S
RESPONSIBILITY TO GET TESTING
AND APPROVAL FOR USE IN ABB
SWITCHES
COMPARE TO OZXA-24 LUG KIT
USE BARRIERS WHERE
APPROPRIATE TO MAINTAIN
POLE SEPARATION**



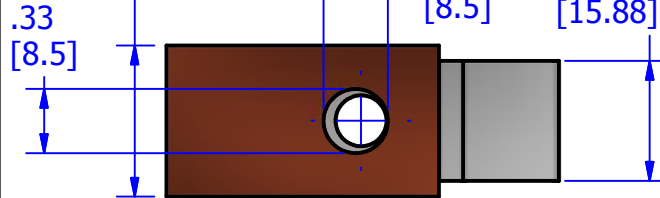
**Pressure Terminal
Connectors
NRTL Cat. No.
S2/0**

Wire Size Copper (solid to semi-rigid stranded and metric mm², #)	All Torque in in-lbs. For N-M divide by 8.85.		
	Wire Size FLEX Copper (#)	Wire Size aluminum	Torque (all drive means)
N/A	1/0-1	N/A	75
N/A	1-4	N/A	55
2/0-3@	4-8	2/0-3@	50@
4-6@	8-10	4-6@	45@
8@	10-14	8@	40@
10-14@	N/A	10-12@	35@

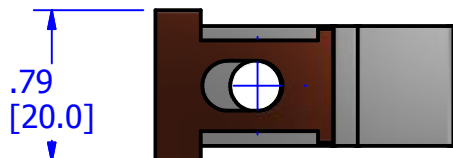
**2/0-14 AL9CU @
90° @**

**(#) FLEX - covers stranding classes within G, H, I/DLO,
Metric class5 and K/MTW.(##) mm2 sizes within
AWG/kcmil ranges are included.
@ UL ONLY: Alternate torque 120in-lbs, 2/0-14 AWG,
CU7AL, 75°C, NOT FLEX WIRE (#), Hex socket screw**

**.79
[20.0]**



LONG STYLE 100A BUS TAB ROUND MOUNTING HOLE



**.79
[20.0]**

SHORT STYLE 100A BUS TAB, OVAL HOLE AND CUT OUTS



<http://www.lugsdirect.com/GuideToFlexFlexibleFineStrandedWireCableMechanicalLugsFAQ.html>

COPYRIGHT (per latest revision date) of International Hydraulics, Inc. (IHI®). ALL RIGHTS RESERVED. This complete drawing, schematic, and design are proprietary and confidential property of International Hydraulics, Inc. IHI Connectors® in Cleveland, Ohio, and may not be duplicated, used for the basis of design or manufacture without prior written permission of its owner. Contents contain a combination of registered trademark, copyright, or patent protections exclusively owned by IHI® which are not to be infringed upon. NOT FOR USE WHERE FAILURE CREATES A HAZARD TO HUMAN HEALTH OR SAFETY. All products are subject to this full disclaimer: ihiconnectors.com/disclaimer.html

IHI CONNECTORS INTERNATIONAL HYDRAULICS, INC.	
TITLE: IHI LUG FOR ABB 100AMP SWITCHES & DISCONNECTS IHI S2-0-TP-27-44-HEX	
GENERAL TOLERANCES ±.015 (±0,39)	
MATERIAL: 6061-T6	SIZE: A
FINISH: TIN PLATED	DATE: 1-4-2021 Rev 1. 12-12-2023 Rev 2. 7-15-2024
DRAWN BY: cridley	DWG NO.: ABB OS100-IHI LUG S2-0-TP-27-44-HEX
REV: 2	