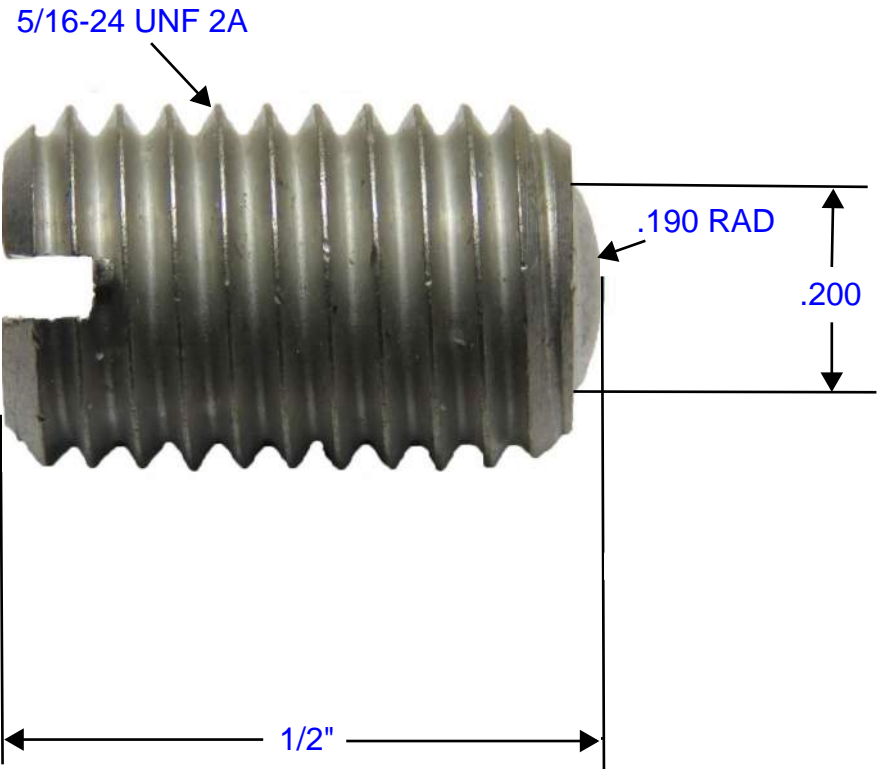
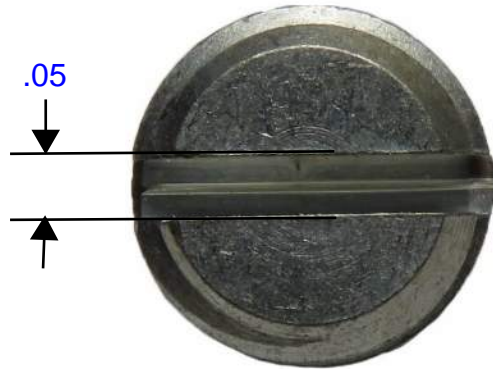


NOT FOR USE WHERE FAILURE CREATES A HAZARD TO HUMAN HEALTH OR SAFETY.
 ALL PRODUCTS ARE SUBJECT TO THIS FULL DISCLAIMER:
<http://www.ihiconnectors.com/disclaimer.html>

FOR FURTHER INFORMATION ON THE PROPER USE OF THIS PRODUCT IN SPECIFIC APPLICATIONS SEE:
<https://lugsdirect.com/AluminumSetScrews/aluminum-set-screws-FAQ.html>



THREAD	5/16-24 UNF 2A
MATERIAL	2024 T4 ALUMINUM
PLATING	TIN
WAX	YES
WIEGHT (LBS)	.0029
MAX WORKING TORQUE	60 IN. LBS
RoHS	YES (10/10)
REACH	YES
LEAD FREE	NO
CONFLICT FREE MATERIALS	YES
ENVIRONMENT	DRY LOCATIONS
COUNTRY OF ORIGIN	USA

ADVANCEMENT INTERNATIONAL LTD		
TITLE	DESCRIPTION	
5/16-24 X 1/2 SET SCREW	ALUMINUM SET SCREW, OVAL/FLAT POINT, SLOTTED SET SCREW	
PART NUMBER		
10850		
GENERAL TOLERANCES: ±.015	DATE: 9/20/2016	REV 1 5/1/2023
		REV. 1