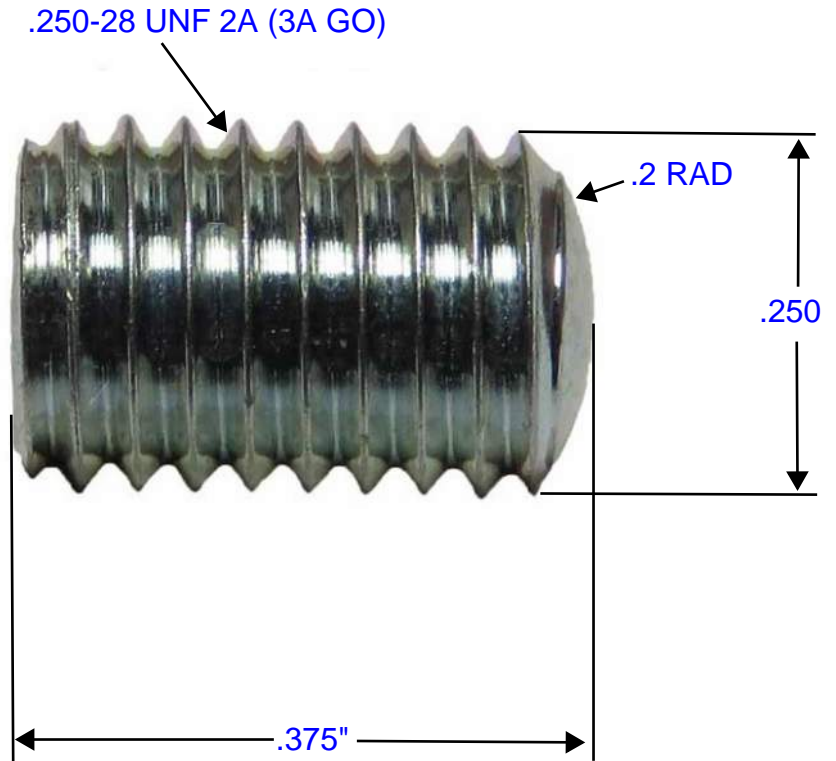
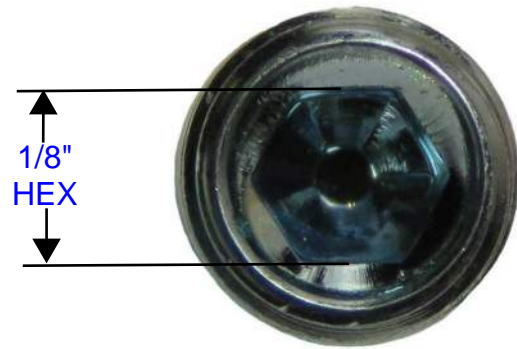


NOT FOR USE WHERE FAILURE CREATES A HAZARD TO HUMAN HEALTH OR SAFETY.
 ALL PRODUCTS ARE SUBJECT TO THIS FULL DISCLAIMER:
<http://www.ihiconnectors.com/disclaimer.html>



THREAD	.250-28 UNF 2A
MATERIAL	STEEL
PLATING	ZINC
WAX	YES
WEIGHT (oz)	.0505
MAX WORKING TORQUE	50 IN. LBS
RoHS	YES (10/10)
REACH	YES
LEAD FREE	YES
CONFLICT FREE MATERIALS	YES
ENVIRONMENT	DRY LOCATIONS
COUNTRY OF ORIGIN	USA

ADVANCEMENT INTERNATIONAL LTD		
TITLE	DESCRIPTION	
.250-28 X .375 SET SCREW	ALUMINUM SET SCREW, OVAL POINT, HEX SOCKET SCREW	
PART NUMBER		
13695		
GENERAL TOLERANCES: ±.015	DATE: 3/31/2020	REV.