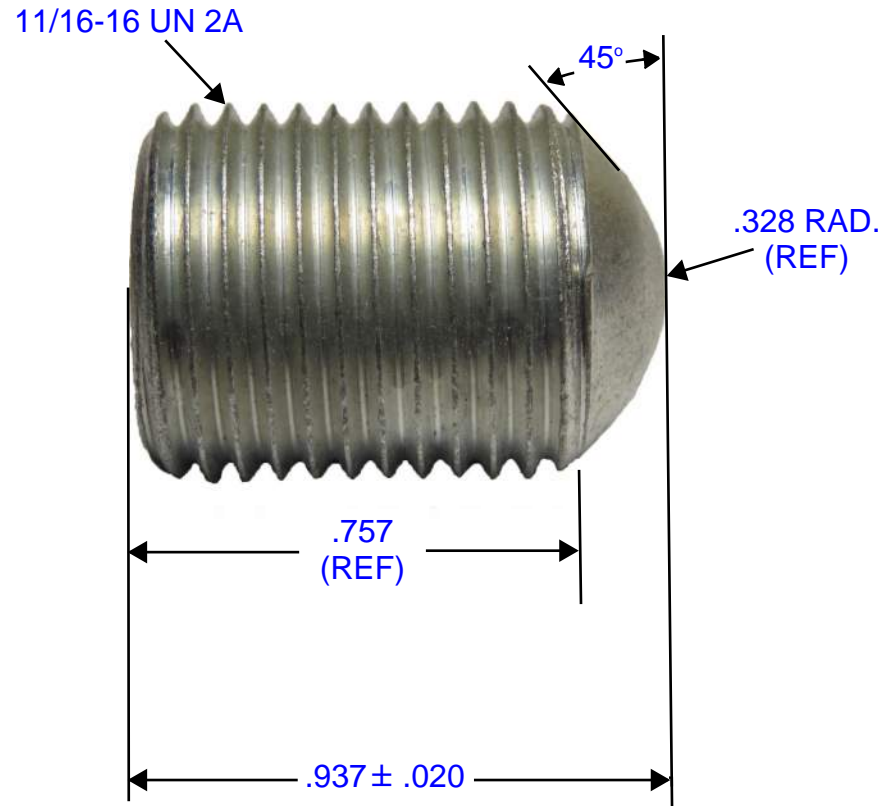


NOT FOR USE WHERE FAILURE CREATES A HAZARD TO HUMAN HEALTH OR SAFETY. ALL PRODUCTS ARE SUBJECT TO THIS FULL DISCLAIMER:
<http://www.ihconnectors.com/disclaimer.html>

FOR FURTHER INFORMATION ON THE PROPER USE OF THIS PRODUCT IN SPECIFIC APPLICATIONS SEE:
<https://lugsdirect.com/AluminumSetScrews/aluminum-set-screws-FAQ.html>



THREAD	11/16-16 UN 2A
MATERIAL	2024 T4 ALUMINUM
PLATING	TIN
WAX	YES
WIEGHT (LBS)	.0214
MAX WORKING TORQUE	412.5 IN LBS
RoHS	YES (10/10)
REACH	YES
LEAD FREE	YES
CONFLICT FREE MATERIALS	YES
ENVIRONMENT	DRY LOCATIONS
COUNTRY OF ORIGIN	USA

ADVANCEMENT INTERNATIONAL LTD		
TITLE	DESCRIPTION	
11/16-16 X .937 SET SCREW	ALUMINUM SET SCREW, OVAL POINT, HEX SOCKET SCREW	
PART NUMBER		
14240		
GENERAL TOLERANCES: ±.015	DATE: 9/20/2016	REV.