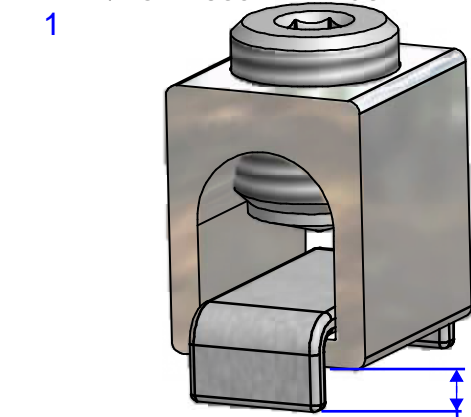
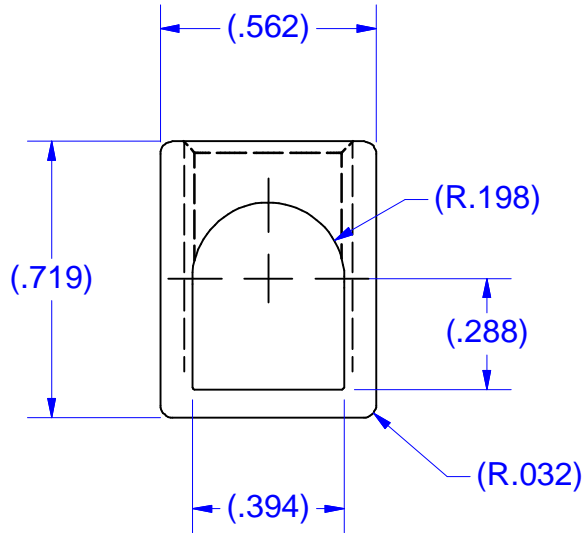
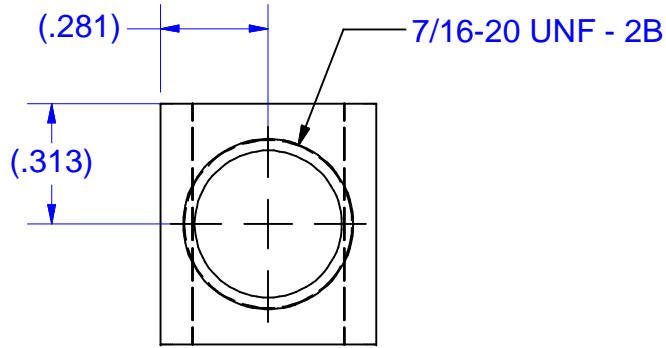


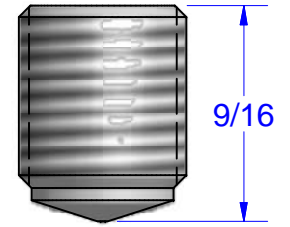
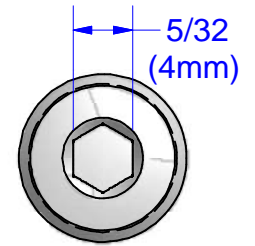
RATED FOR 150 AMPS WITH 1/0 COPPER WIRE. BUS SUBJECT TO FURTHER TESTING IN THE END USER APPLICATION  
 CSA C22.2 65-93 CLASS 6223-02(CAN) & 6223-82(US UL486A-B) WHEN USED WITH 1/16" X .365" MIN. COPPER BUS

NOT FOR USE WHERE FAILURE CREATES A HAZARD TO HUMAN HEALTH OR SAFETY. ALL PRODUCTS ARE SUBJECT TO THIS FULL DISCLAIMER: <http://www.ihconnectors.com/disclaimer.html>

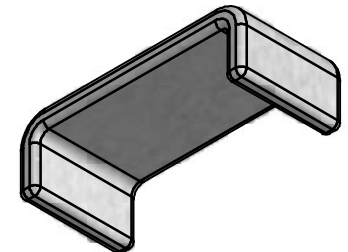
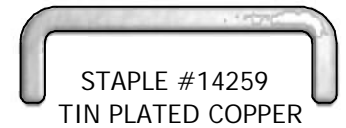
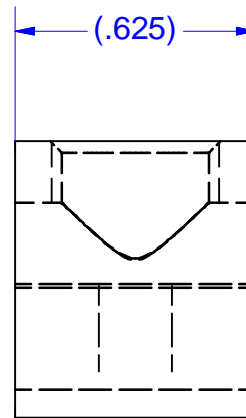
FOR FURTHER INFORMATION ON THE PROPER USE OF THIS PRODUCT IN SPECIFIC APPLICATIONS SEE  
<http://www.ihconnectors.com/GuideToFlexFineStrandedWireCableMechanicalLugsFAQ.html>  
[http://www.ihconnectors.com/High\\_Amp\\_Wide\\_Trace\\_PCB\\_Wire\\_Connection.html](http://www.ihconnectors.com/High_Amp_Wide_Trace_PCB_Wire_Connection.html)  
<http://www.ihconnectors.com/Technical-Data-Installation.htm>



.10 PCB PENETRATION



SCREW #14236  
 (ALUMINUM TIN PLATED)



**PARTS MARKED**

1/0-8  
 CU9AL  
 B1/0  
 CSA (USA+CANADA)  
 IHI

WIRE BINDING SCREW TIGHTENING TORQUE 100 in-LBS (11.3 N-m)

REV 1 11/15/10 100 was 150inlb. Add CSA file Stds

THIS DRAWING AND DESIGN ARE THE PROPERTY OF INTERNATIONAL HYDRAULICS, INC., CLEVELAND, OHIO, AND MAY NOT BE DUPLICATED, USED FOR THE BASIS OF DESIGN OR MANUFACTURE WITHOUT THE WRITTEN PERMISSION OF INTERNATIONAL HYDRAULICS, INC., CLEVELAND, OHIO.		INTERNATIONAL HYDRAULICS, INC.		
GENERAL TOLERANCES ±.015 (±0.038)		TITLE: <b>B1/0-PCB CONNECTOR</b>		
MATERIAL: <b>6061 (14414)</b>	SCALE: <b>2:1</b>	DRAWN BY: <b>TDS</b>	DWG NO.: <b>B1/0-PCB-(SALES)</b>	REV: <b>1</b>
FINISH: <b>TIN PLATE EMS</b>	DATE: <b>12/5/08</b>	THIS IS A CAD DRAWING, DO NOT MANUALLY REVISE		