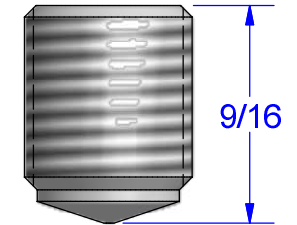
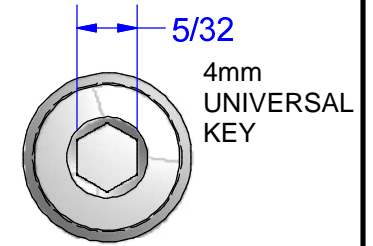
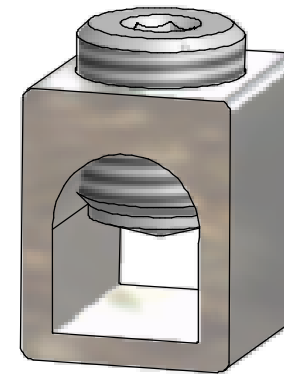
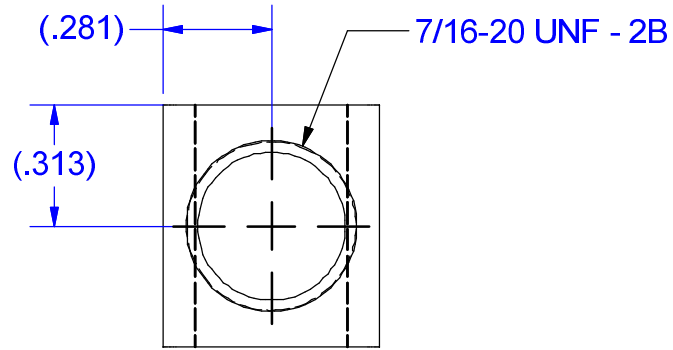
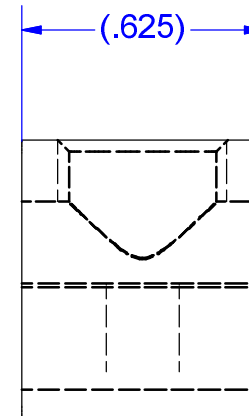
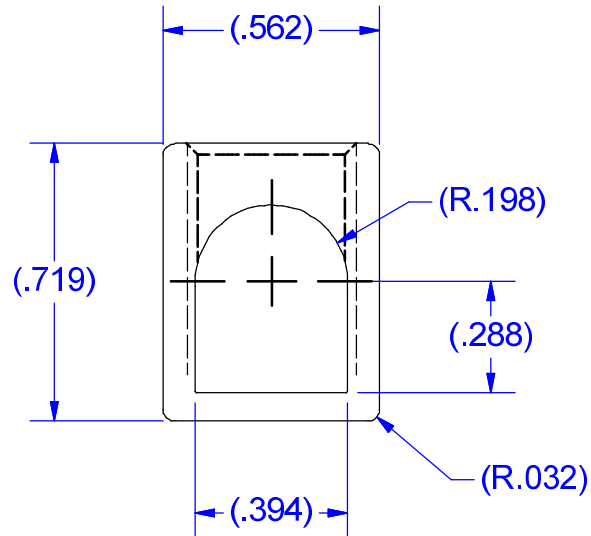


AGENCY ACCEPTANCE: TESTED TO UL486B / C.22.2 APPROVED FOR USA & CANADA BY CSA LAB CONNECTORS IS "RECOGNIZED" FOR USE ONLY IN ASSEMBLIES WHICH THEMSELVES HAVE BEEN APPROVED



SCREW#14236
(2024-T4 ALUMINUM
TIN PLATED)



PARTS MARKED

1/0-8
CU9AL
B1/0
cCSAus (USA+CANADA)
IHI

TANG (SUPPLIED
BY CUSTOMER)
.064 - .080 THICK
.36 - .38 WIDE
TIN PLATED COPPER

NOT FOR USE WHERE FAILURE CREATES A HAZARD TO HUMAN HEALTH OR SAFETY. ALL PRODUCTS ARE SUBJECT TO THIS FULL DISCLAIMER: <http://www.ihiconnectors.com/disclaimer.html>

FOR FURTHER INFORMATION ON THE PROPER USE OF THIS PRODUCT IN SPECIFIC APPLICATIONS SEE http://www.ihiconnectors.com/High_Amp_Wide_Trace_PCB_Wire_Connection.html
<http://www.ihiconnectors.com/Technical-Data-Installation.htm>

THIS DRAWING AND DESIGN ARE THE PROPERTY OF INTERNATIONAL HYDRAULICS, INC., CLEVELAND, OHIO, AND MAY NOT BE DUPLICATED, USED FOR THE BASIS OF DESIGN OR MANUFACTURE WITHOUT THE WRITTEN PERMISSION OF INTERNATIONAL HYDRAULICS, INC., CLEVELAND, OHIO.		INTERNATIONAL HYDRAULICS, INC.		
GENERAL TOLERANCES ±.015 (±0,038)		TITLE: B1/0 CONNECTOR		
MATERIAL: 6061-T6 (14414)	SCALE: 2:1	DRAWN BY: TDS	DWG NO.: B1/0-(SALES)	REV:
FINISH: TIN PLATE EMS	DATE: 12/5/08	THIS IS A CAD DRAWING, DO NOT MANUALLY REVISE		