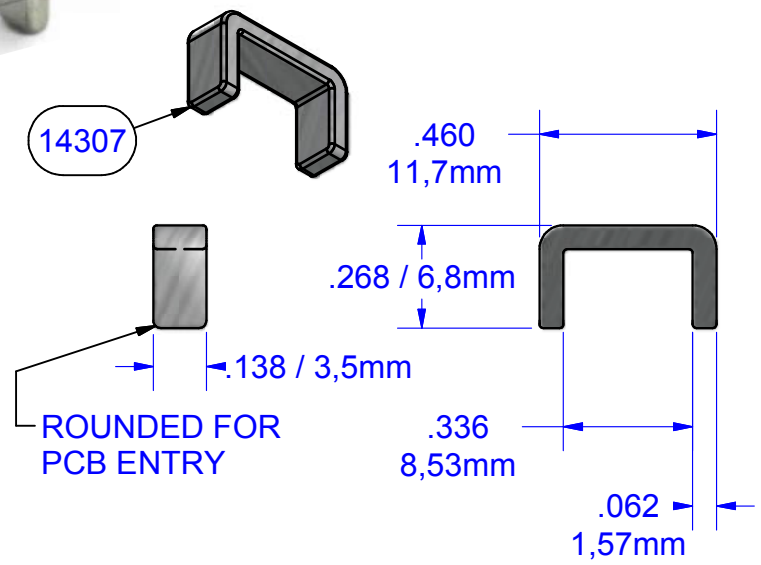


WIRE RANGE AWG 12-16
SOLID AND STRANDED



Wire Binding Screw Recommended Torque Chart for Wire Stranding Classes Listed in UL486A-B Code Wires*

AWG 10-14 (mm² 4-2.5)

AWG	mm ²	in-lb	N-M
10	-	20	2.26
-	4		
12	-	2.5	2.26
-	2.5		
14	-		

*For parts with No Screw (i.e. XXX-PCB-NS) Recommended Torque is User Controlled. Wire binding screw torque not applicable to ring lug clamping screws. Suitable torques for flex wire may be different than listed.

- NOTES:
1. RECOMMEND THE USE OF FERRULES FOR SMALL OR FINE STRANDED WIRE.
 2. PART IS NOT UL/CSA LISTED/CERTIFIED BUT IS CAPABLE OF PASSING UL486 SUBJECT TO TESTING AS MOUNTED IN PCB AND USING FOIL/PCB DESIGN, WIRE CLASS, SCREW TORQUE, AND MAXIMUM CURRENT, APPROPRIATELY. SEE B12-PCB-S FOR UL RATED VERSION.
 3. WAVE SOLDERABLE (THT)
 4. ACCEPTS COPPER OR ALUMINUM WIRE (SOLID OR STRANDED)
 5. FOR .06 PCB MIN. BOARD THICKNESS.
 6. ALL FINAL PCB SPECS BASED ON BUYER TESTING AND APPROVAL

NOT FOR USE WHERE FAILURE CREATES A HAZARD TO HUMAN HEALTH OR SAFETY. ALL PRODUCTS ARE SUBJECT TO THIS FULL DISCLAIMER: <http://www.ihconnectors.com/disclaimer.html>

FOR FURTHER INFORMATION ON THE PROPER USE OF THIS PRODUCT IN SPECIFIC APPLICATIONS SEE <http://www.ihconnectors.com/GuideToFlexFlexibleFineStrandedWireCableMechanicalLugsFAQ.html>
http://www.ihconnectors.com/High_Amp_Wide_Trace_PCB_Wire_Connection.html
<http://www.ihconnectors.com/Technical-Data-Installation.htm>

THIS DRAWING AND DESIGN ARE THE PROPERTY OF INTERNATIONAL HYDRAULICS, INC., CLEVELAND, OHIO, AND MAY NOT BE DUPLICATED, USED FOR THE BASIS OF DESIGN OR MANUFACTURE WITHOUT THE WRITTEN PERMISSION OF INTERNATIONAL HYDRAULICS, INC., CLEVELAND, OHIO.		INTERNATIONAL HYDRAULICS, INC.		
GENERAL TOLERANCES ±.015 (±0,038)		TITLE: B12-PCB-NM-HEX PCB CONNECTOR (THT)		
MATERIAL: 6061-T6 (14272)	SIZE: X2	DRAWN BY: TDS	DWG NO.: B12-PCB-S (SALES)	REV:
FINISH: TIN PLATE FOR SOLDERING	DATE: 5/10/11 12-31-14	IHI CONNECTORS		