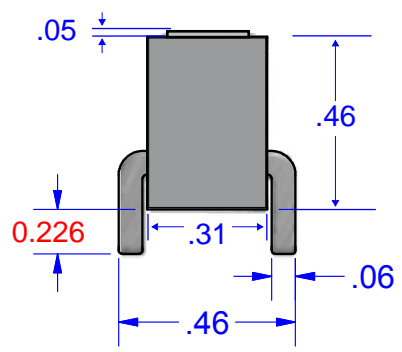
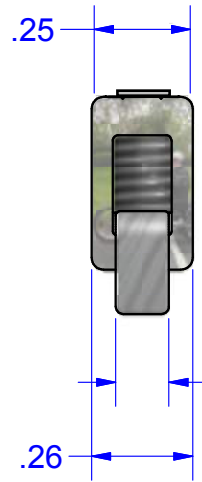
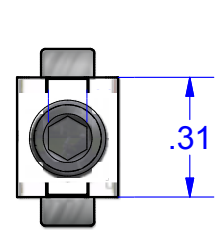
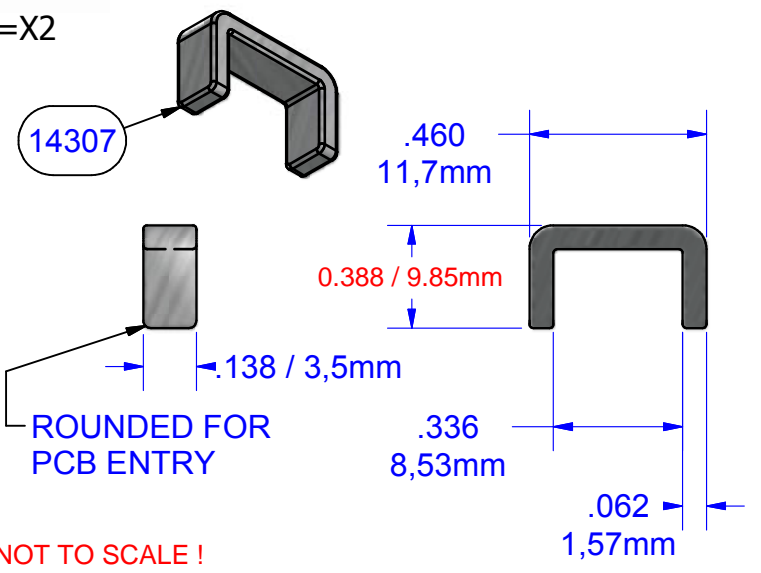


FERRULES
RECOMENDED FOR
FLEX OR SMALL FINE
STRANDED WIRE

SCALE=X2



WIRE RANGE AWG 10-16
SOLID AND STRANDED



NOT TO SCALE !

Wire Binding Screw Recommended Torque Chart for Wire Stranding Classes Listed in UL486A-B Code Wires*
AWG 10-14 (mm² 4-2.5)

AWG	mm ²	in-lb	N-M
10	-	20	2.26
-	4		
12	-	2.5	
-	2.5		
14	-		

*For parts with No Screw (i.e. XXX-PCB-NS) Recommended Torque is User Controlled. Wire binding screw torque not applicable to ring lug clamping screws. Suitable torques for flex wire may be different than listed.

NOTE:
RECOMMEND THE USE OF FERRULES FOR SMALL OR FINE STRANDED WIRE.
NOT FOR USE WHERE FAILURE CREATES A HAZARD TO HUMAN HEALTH OR SAFETY. ALL PRODUCTS ARE SUBJECT TO THIS FULL DISCLAIMER: <http://www.ihconnectors.com/disclaimer.html>
FOR FURTHER INFORMATION ON THE PROPER USE OF THIS PRODUCT IN SPECIFIC APPLICATIONS SEE <http://www.ihconnectors.com/GuideToFlexFlexibleFineStrandedWireCableMechanicalLugsFAQ.html>
http://www.ihconnectors.com/High_Amp_Wide_Trace_PCB_Wire_Connection.html
<http://www.ihconnectors.com/Technical-Data-Installation.htm>

THIS DRAWING AND DESIGN ARE THE PROPERTY OF INTERNATIONAL HYDRAULICS, INC., CLEVELAND, OHIO, AND MAY NOT BE DUPLICATED, USED FOR THE BASIS OF DESIGN OR MANUFACTURE WITHOUT THE WRITTEN PERMISSION OF INTERNATIONAL HYDRAULICS, INC., CLEVELAND, OHIO.		INTERNATIONAL HYDRAULICS, INC.		
GENERAL TOLERANCES ±.015 (±0,038)		TITLE: B12-PCB24-NM-HEX CONNECTOR		
MATERIAL: 6061-T6 (14272)	SIZE: X2	DRAWN BY: TDS	DWG NO.: B12-PCB24-NM-HEX (SALES)	REV:
FINISH: TIN PLATE EMS	DATE: 5/10/11	IHI CONNECTORS		
		2-1-2017 (cdmr)		