

UNLESS OTHERWISE SPECIFIED, DIMENSIONS ARE IN INCHES. REMOVE ALL BURRS AND SHARP EDGES.

TOLERANCES: .2 PLACE (.XX) ±.010 FRACTION ±1/64  
 .3 PLACE (.XXX) ±.005 ANGLES ±1/2 DEGREE

THIS DRAWING AND DESIGN ARE THE PROPERTY OF INTERNATIONAL HYDRAULICS, INC., MENTOR, OHIO. IT MAY NOT BE DUPLICATED OR USED FOR THE BASIS OF DESIGN OR MANUFACTURE, WITHOUT THE WRITTEN PERMISSION OF INTERNATIONAL HYDRAULICS, INC.

REVISIONS

NR.	DESCRIPTION	BY	DATE
-----	-------------	----	------

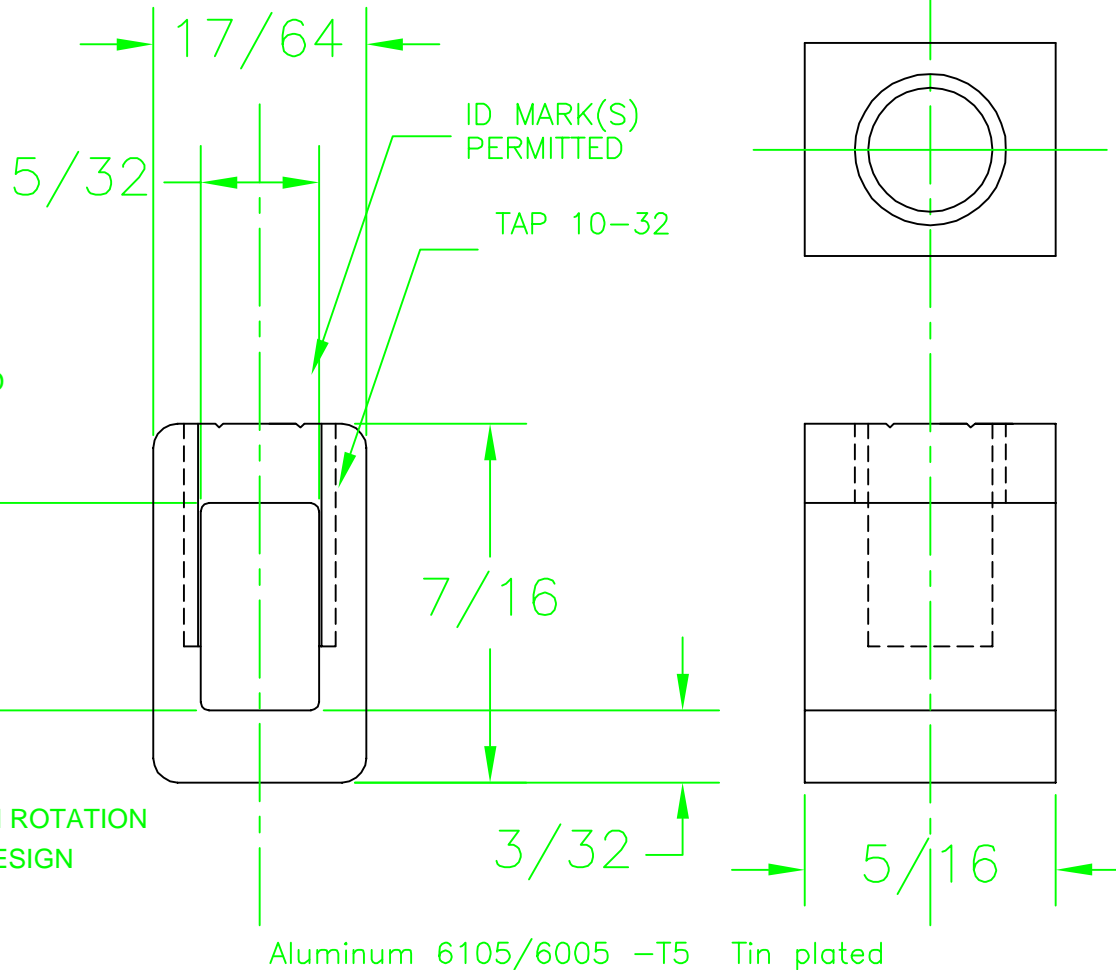
NOT FOR USE WHERE FAILURE CREATES A HAZARD TO HUMAN HEALTH OR SAFETY. ALL PRODUCTS ARE SUBJECT TO THIS FULL DISCLAIMER:  
<http://www.ihconnectors.com/disclaimer.html>

FOR FURTHER INFORMATION ON THE PROPER USE OF THIS PRODUCT IN SPECIFIC APPLICATIONS SEE  
[http://www.ihconnectors.com/High\\_Amp\\_Wide\\_Trace\\_PCB\\_Wire\\_Connection.html](http://www.ihconnectors.com/High_Amp_Wide_Trace_PCB_Wire_Connection.html)  
<http://www.ihconnectors.com/Technical-Data-Installation.htm>

SUPPLIED WITH 10-32 FILISTER HEAD SCREW ASSEMBLED

CONDITIONS OF ACCEPTABILITY ARE NOMINALLY PROVIDED BY THE CUSTOMER BUS BAR & / OR PLASTIC TURN PREVENT & PULL OFF PREVENT.

CUSTOMER SUPPLIED BUS .125 WIDE X .063 THICK COPPER ALLOY TIN PLATED



CUSTOMER TO PROVIDE ANTI ROTATION AND ANTI PULL OFF IN BUS DESIGN

International Hydraulics  
 7700 ST. CLAIR AVE., MENTOR, OH

DWG BY: CDMR

TITLE CONNECTOR CAT NO B12

REV#

DATE: 11/21/00

MATERIAL

FINISH

DWG# 4303