

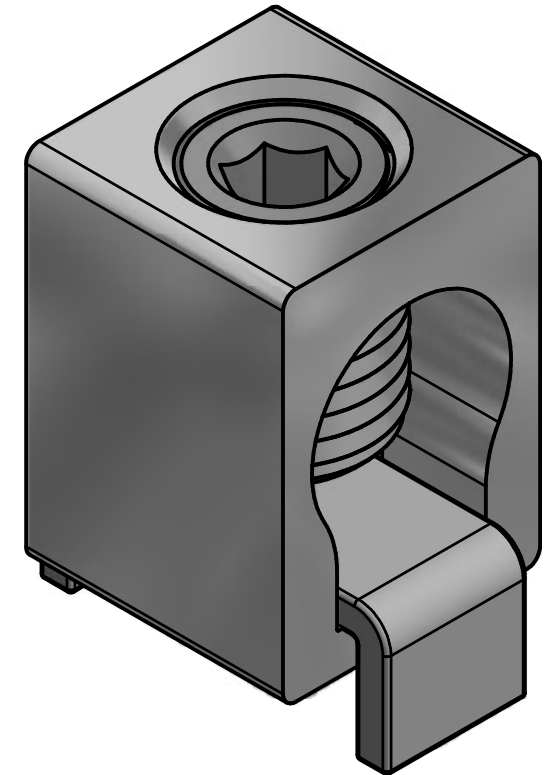
NOT FOR USE WHERE FAILURE CREATES A HAZARD TO HUMAN HEALTH OR SAFETY. ALL PRODUCTS ARE SUBJECT TO THIS FULL DISCLAIMER: <http://www.ihconnectors.com/disclaimer.html>

FOR FURTHER INFORMATION ON THE PROPER USE OF THIS PRODUCT IN SPECIFIC APPLICATIONS SEE http://www.ihconnectors.com/High_Amp_Wide_Trace_PCB_Wire_Connection.html

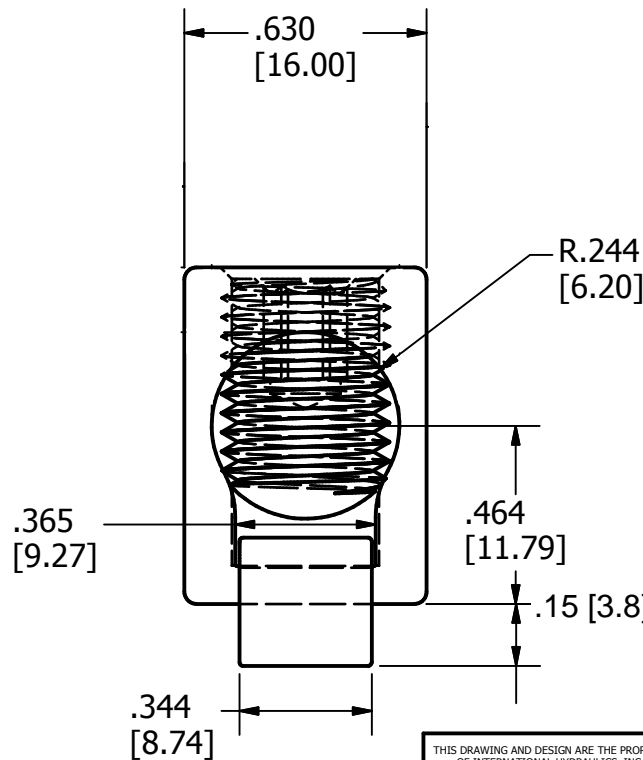
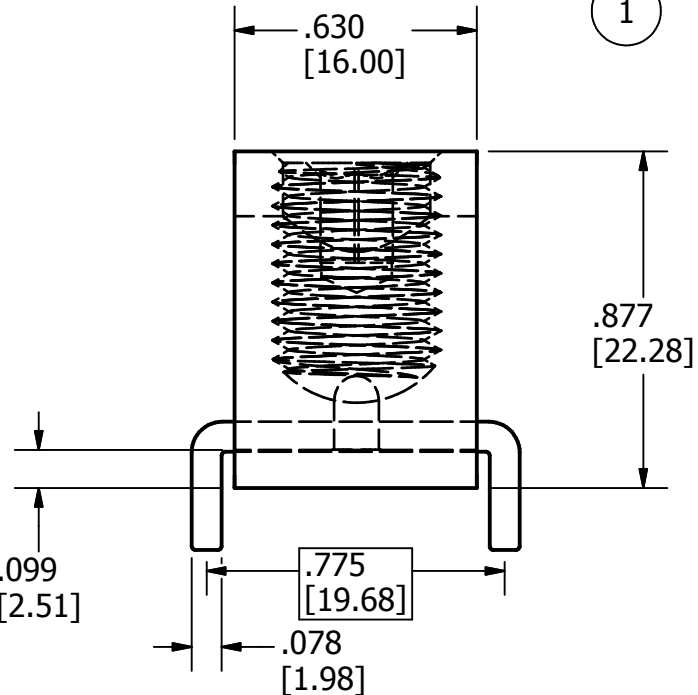
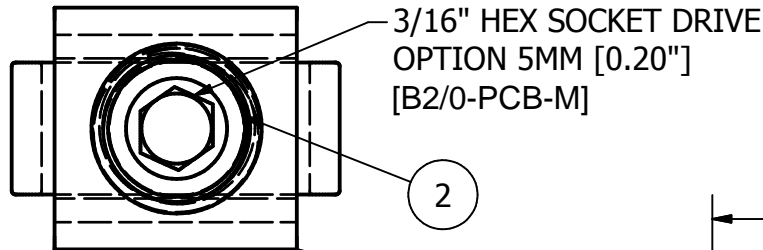
<http://www.ihconnectors.com/Technical-Data-Installation.htm>

BOM

1. B2/0 BODY
2. 11703 SCREW
3. 15723 STAPLE



PART MARKED
B2/0-1
IHI
UR
CU7AL



1. WIRE RANGE 2/0-8 AWG (50-10mm²) COPPER & ALUMINUM DUAL RATED
2. CU7AL 75°C RATED
3. USER TORQUE 120IN-LB (13.6 N-M)
4. SCREW 11703 [OPTION 11703-M 5mm HEX]
5. 175 AMP WIRE RATED USING 2/0 COPPER WIRE 75°C
6. UL CAT NO. "B2-0-1" E129884 ZMVV2 USR

THIS DRAWING AND DESIGN ARE THE PROPERTY OF INTERNATIONAL HYDRAULICS, INC., CLEVELAND, OHIO, AND MAY NOT BE DUPLICATED, USED FOR THE BASIS OF DESIGN OR MANUFACTURE WITHOUT THE WRITTEN PERMISSION OF INTERNATIONAL HYDRAULICS, INC., CLEVELAND, OHIO.		INTERNATIONAL HYDRAULICS, INC.		
GENERAL TOLERANCES ±.015 (±0,39)		TITLE: B2-0-PCB-SALES 2/0-8AWG 175A 75C PCB LUG		
MATERIAL: 6061-T6	SIZE: A	DRAWN BY: cridley	DWG NO.:	REV:
FINISH: TIN PLATED	DATE: 3-20-2017 REL 9-4-19	B2-0-PCB-SALES IHI CONNECTORS		