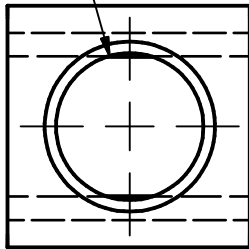


REV	DESCRIPTION	DATE	APPROVED
1	RELEASED	9/4/2019	CDMR

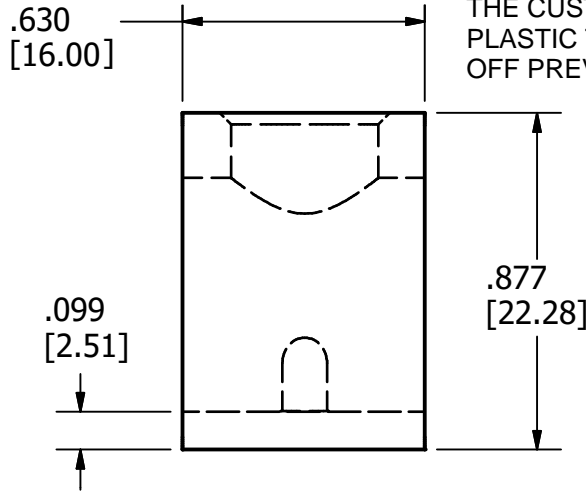
7/16-20 UNF - 2B



NOT FOR USE WHERE FAILURE CREATES A HAZARD TO HUMAN HEALTH OR SAFETY. ALL PRODUCTS ARE SUBJECT TO THIS FULL DISCLAIMER:
<http://www.ihiconnectors.com/disclaimer.html>

FOR FURTHER INFORMATION ON THE PROPER USE OF THIS PRODUCT IN SPECIFIC APPLICATIONS SEE
http://www.ihiconnectors.com/High_Amp_Wide_Trace_PCB_Wire_Connection.html
<http://www.ihiconnectors.com/Technical-Data-Installation.htm>

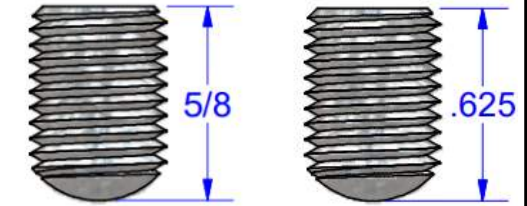
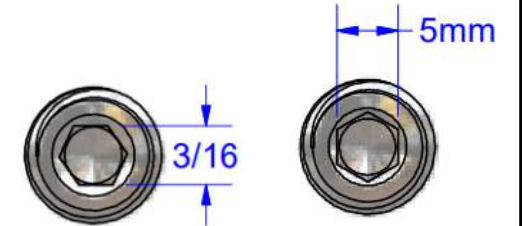
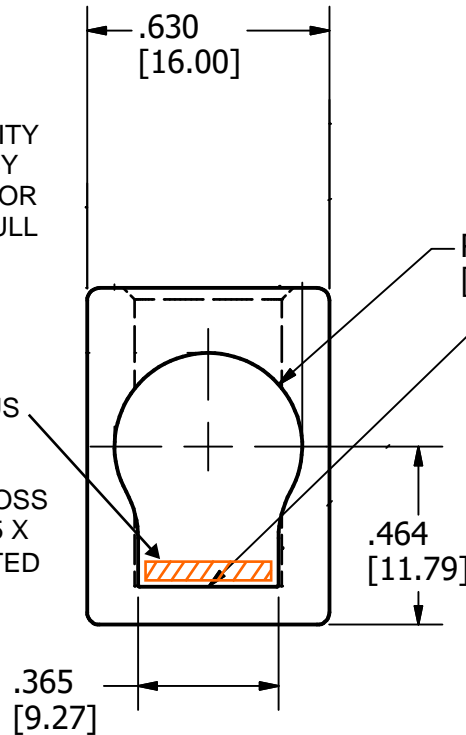
CONDITIONS OF ACCEPTABILITY ARE NOMINALLY PROVIDED BY THE CUSTOMER BUS BAR & / OR PLASTIC TURN PREVENT & PULL OFF PREVENT.



MARKING

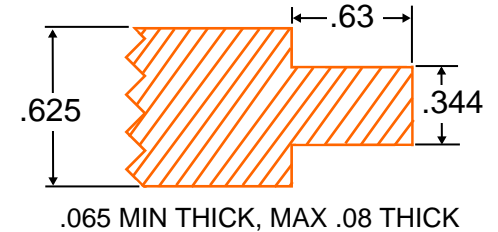
UR IHI B2/0-1
CU7AL 2/0-8

CUSTOMER SUPPLIED BUS MUST BE INSTALLED
MINIMUM CROSS SECTION .065 X .344 TIN PLATED COPPER



SCREW # 11703 (ALUMINUM TIN PLATED) B2/0
SCREW # 11703-M (ALUMINUM TIN PLATED) B2/0-M

SMALL DRILL OR MARK OK



1. WIRE RANGE 2/0-8 AWG (50-10mm²) COPPER & ALUMINUM DUAL RATED
2. CU7AL 75°C RATED
3. USER TORQUE 120IN-LB (13.6 N-M)
4. SCREW 11703 [OPTION 11703-M 5mm HEX]
5. 175 AMP WIRE RATED USING 2/0 COPPER WIRE 75°C
6. UL CAT NO. "B2-0-1" E129884 ZMVV2 USR

THIS DRAWING AND DESIGN ARE THE PROPERTY OF INTERNATIONAL HYDRAULICS, INC., CLEVELAND, OHIO, AND MAY NOT BE DUPLICATED, USED FOR THE BASIS OF DESIGN OR MANUFACTURE WITHOUT THE WRITTEN PERMISSION OF INTERNATIONAL HYDRAULICS, INC., CLEVELAND, OHIO.		INTERNATIONAL HYDRAULICS, INC.		
GENERAL TOLERANCES ±.015 (±0,39)		TITLE: B2-0 (SALES)		
MATERIAL: 6061-T6		2/0-8AWG 175A 75C PCB LUG		
FINISH: TIN PLATED	SIZE: A	DRAWN BY: cridley	DWG NO.: B2-0-SALES	REV: 1
DATE: 3-20-2017 REL 9-4-19		IHI CONNECTORS		