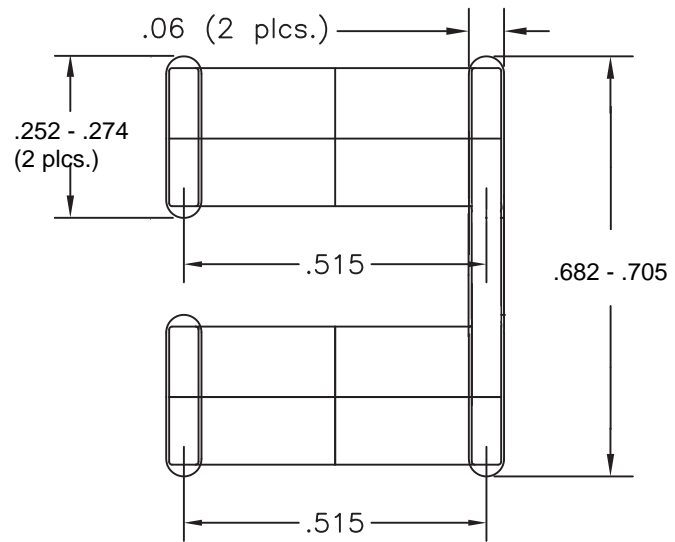
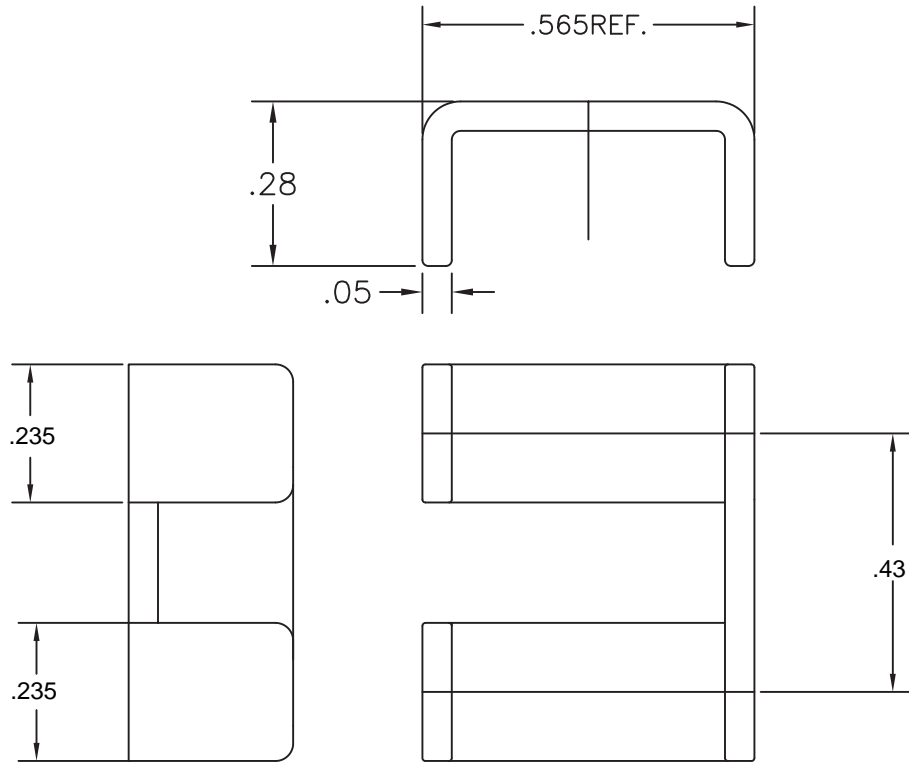


UNLESS OTHERWISE SPECIFIED, DIMENSIONS ARE IN INCHES. REMOVE ALL BURRS AND SHARP EDGES.
 TOLERANCES: 2 PLACE (.XX) ±.010 FRACTION ±1/64
 3 PLACE (.XXX) ±.005 ANGLES ±1/2 DEGREE

THIS DRAWING AND DESIGN ARE THE PROPERTY OF INTERNATIONAL HYDRAULICS, INC., MENTOR, OHIO. IT MAY NOT BE DUPLICATED OR USED FOR THE BASIS OF DESIGN OR MANUFACTURE, WITHOUT THE WRITTEN PERMISSION OF INTERNATIONAL HYDRAULICS, INC.

REVISIONS		BY	DATE
NR.	DESCRIPTION		



PCB EXAMPLE ROUTING

SOME EXAMPLES OF TYPICAL SOLDER PADS



NOT FOR USE WHERE FAILURE CREATES A HAZARD TO HUMAN HEALTH OR SAFETY. ALL PRODUCTS ARE SUBJECT TO THIS FULL DISCLAIMER: <http://www.ihconnectors.com/disclaimer.html>

FOR FURTHER INFORMATION ON THE PROPER USE OF THIS PRODUCT IN SPECIFIC APPLICATIONS SEE <http://www.ihconnectors.com/GuideToFlexFlexibleFineStrandedWireCableMechanicalLugsFAQ.html>
http://www.ihconnectors.com/High_Amp_Wide_Trace_PCB_Wire_Connection.html
<http://www.ihconnectors.com/Technical-Data-Installation.htm>

International Hydraulics 7700 ST. CLAIR AVE., MENTOR, OH	DWG BY: CDMR	TITLE DUAL Connector Buss Staple	REV REV 13-17-17
	DATE: 10/17/03	MATERIAL Copper	FINISH Tin Solderable (Spec.EMS1001)
			DWG# 14257-D