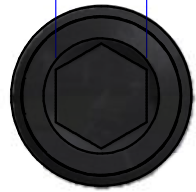
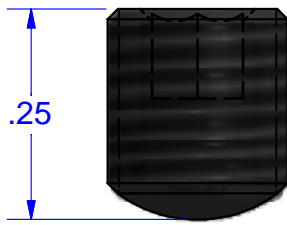


4mm 5/32



LOW PROFILE SCREW



SCREW HEX25  
STEEL (BLACK OXIDE)

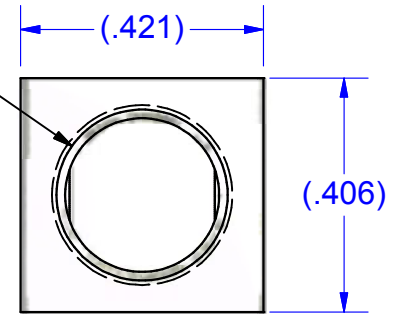
NOT FOR USE WHERE FAILURE CREATES A HAZARD TO HUMAN HEALTH OR SAFETY. ALL PRODUCTS ARE SUBJECT TO THIS FULL DISCLAIMER: <http://www.ihconnectors.com/disclaimer.html>

FOR FURTHER INFORMATION ON THE PROPER USE OF THIS PRODUCT IN SPECIFIC APPLICATIONS SEE <http://www.ihconnectors.com/GuideToFlexFlexibleFineStrandedWireCableMechanicalLugsFAQ.html>

[http://www.ihconnectors.com/High\\_Amp\\_Wide\\_Trace\\_PCB\\_Wire\\_Connection.html](http://www.ihconnectors.com/High_Amp_Wide_Trace_PCB_Wire_Connection.html)  
<http://www.ihconnectors.com/Technical-Data-Installation.htm>

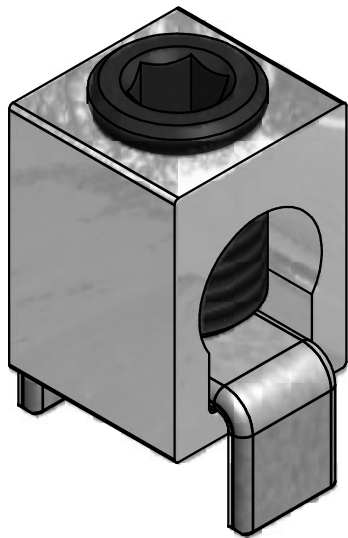
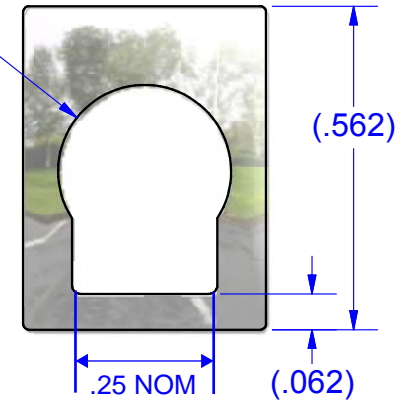
CUSTOMER SUPPLIED  
COPPER BUS BAR  
AWG 2 .25 ROUND OR .24 MAX SQUARE  
AWG .20 ROUND

5/16-24 UNF - 2B

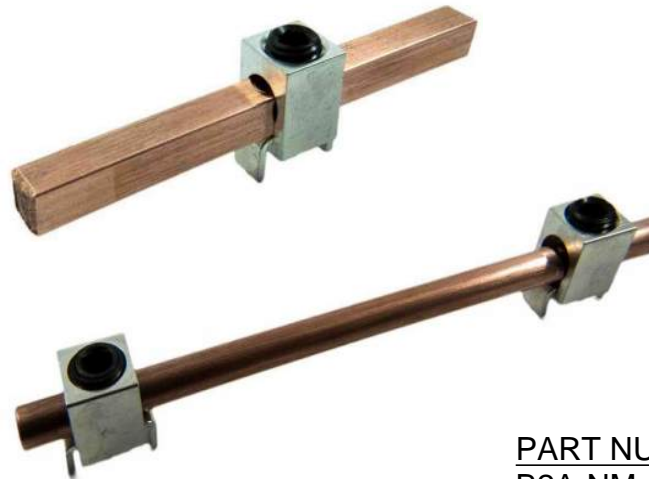


CONNECTOR #B2A  
ALUMINUM (TIN PLATED)

(R.150)



NON-UL LISTED COMPONENTS

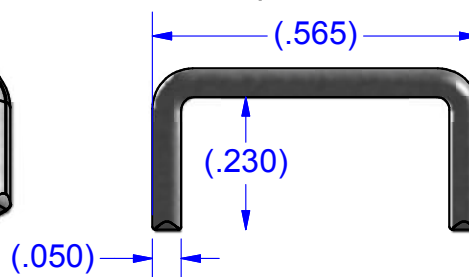
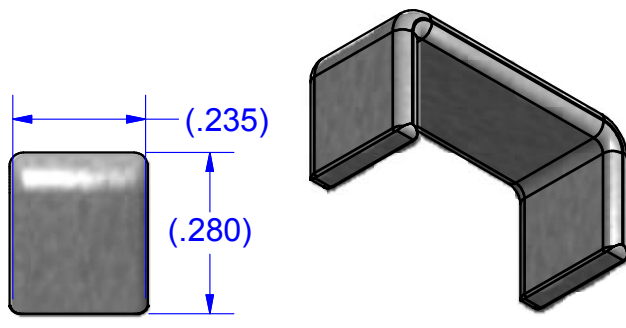


PART NUMBERS

B2A-NM-PCB-HEX25 (ASSEMBLED)

B2A-NM-PCB-HEX25 (KITTED)

BUS #14257  
COPPER (TIN SOLDERABLE)



THIS DRAWING AND DESIGN ARE THE PROPERTY OF INTERNATIONAL HYDRAULICS, INC., CLEVELAND, OHIO, AND MAY NOT BE DUPLICATED, USED FOR THE BASIS OF DESIGN OR MANUFACTURE WITHOUT THE WRITTEN PERMISSION OF INTERNATIONAL HYDRAULICS, INC., CLEVELAND, OHIO.

INTERNATIONAL HYDRAULICS, INC.

GENERAL TOLERANCES  
±.015 (±0,038mm)

TITLE: BUS BAR MOUNT  
Connector + PCB MOUNT  
ASSEMBLED CONNECTOR

MATERIAL:  
SEE ABOVE

SIZE: DRAWN BY: TDS DWG NO.: B2A-NM-PCB-HEX25(-KIT) REV: 1

FINISH: DATE: 2/27/12  
4/20/2015

THIS IS A CAD DRAWING, DO NOT MANUALLY REVISE