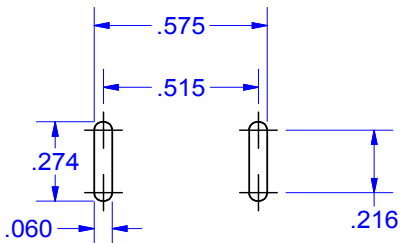
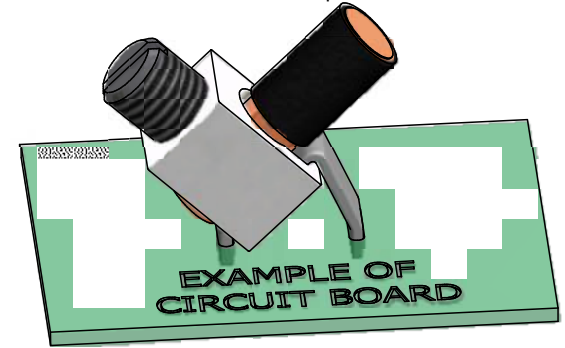
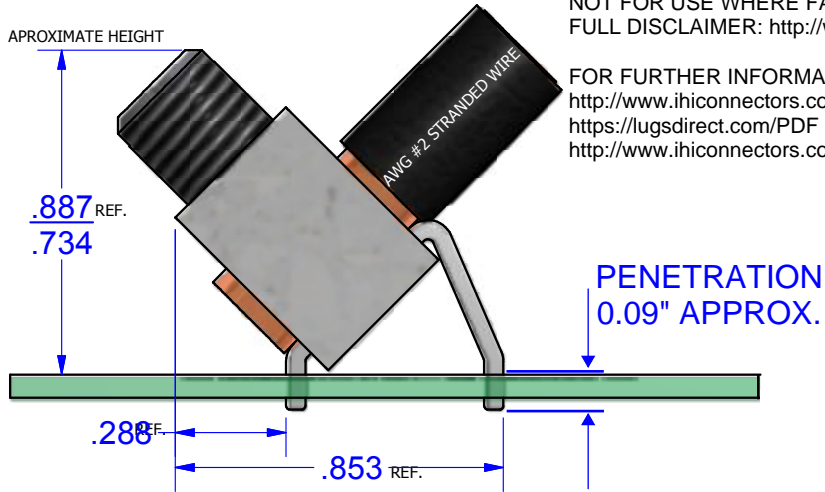


NOT FOR USE WHERE FAILURE CREATES A HAZARD TO HUMAN HEALTH OR SAFETY. ALL PRODUCTS ARE SUBJECT TO THIS FULL DISCLAIMER: <http://www.ihconnectors.com/disclaimer.html>

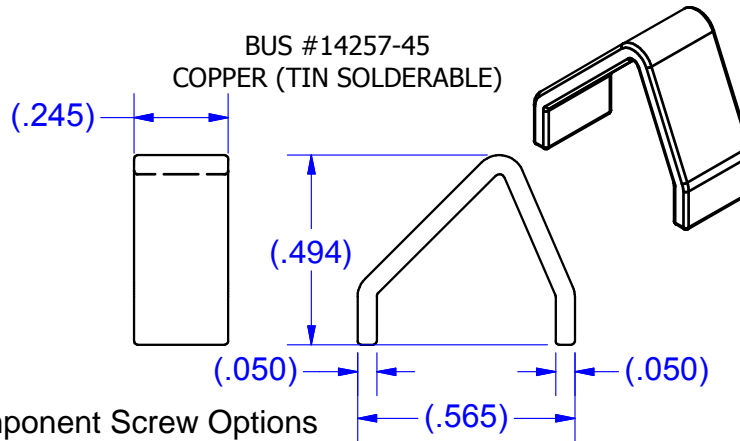
FOR FURTHER INFORMATION ON THE PROPER USE OF THIS PRODUCT IN SPECIFIC APPLICATIONS SEE http://www.ihconnectors.com/High_Amp_Wide_Trace_PCB_Wire_Connection.html
<https://lugsdirect.com/PDF Documents/5-16-SLOTTEDSCREW-BIT-RECOMMENDED-SPECS-IHCONNECTORS.pdf>
<http://www.ihconnectors.com/Technical-Data-Installation.htm>

PARTS MARKED

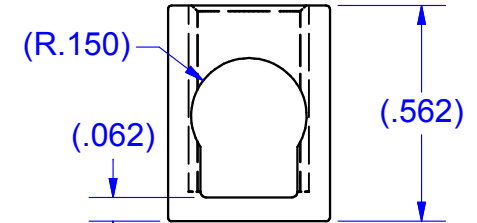
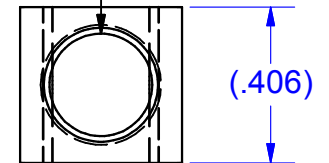
- B2
- IHI LOGO
- CSA LOGO
- UL REGOGNITION LOGO
- 2-14CU7
- 2-8AL7



EXAMPLE OF CIRCUIT BOARD

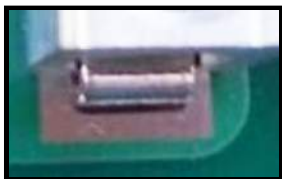


5/16-24 UNF - 2B

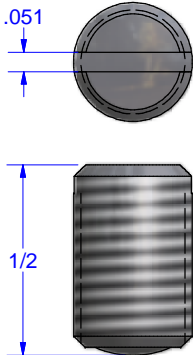


CONNECTOR #B2A ALUMINUM (TIN PLATED)

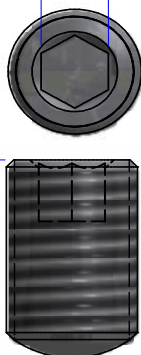
EXAMPLES OF TYPICAL SOLDER PADS



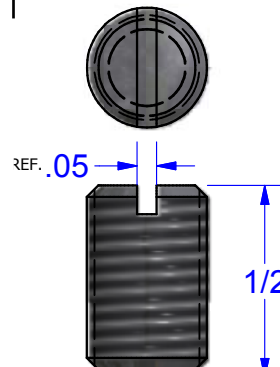
SCREW #12786SS STAINLESS STEEL INSERTED TO BOTTOM OF WIRE HOLE



Screw #12786-HEX Steel (Zinc Plated) 4mm



SCREW # 12786/15718/15720 Steel (Zinc Plated) INSERTED TO BOTTOM OF WIRE HOLE



Schematic drawing covers:
 B2A-PCB-45
 B2A-PCB-45-HEX
 B2A-PCB-45-SS

THIS DRAWING AND DESIGN ARE THE PROPERTY OF INTERNATIONAL HYDRAULICS, INC., CLEVELAND, OHIO, AND MAY NOT BE DUPLICATED, USED FOR THE BASIS OF DESIGN OR MANUFACTURE WITHOUT THE WRITTEN PERMISSION OF INTERNATIONAL HYDRAULICS, INC., CLEVELAND, OHIO.		INTERNATIONAL HYDRAULICS, INC.	
GENERAL TOLERANCES ±.015 (±0.038)		TITLE: Connector + bus for PCB Mount 45deg. ASSEMBLED CONNECTOR	
MATERIAL: SEE ABOVE	SIZE:	DRAWN BY: TDS	DWG NO.: "MULTI" SEE ABOVE
FINISH:	DATE: 11/7/11 11/7/14	REV: 1	
IHI CONNECTORS			