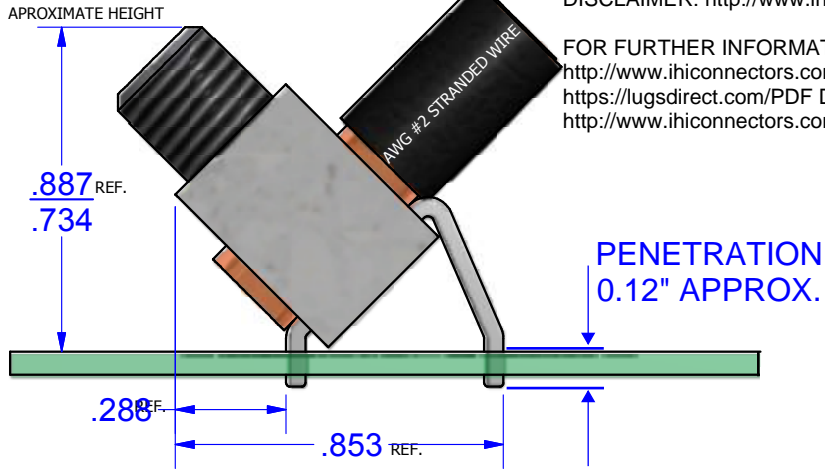


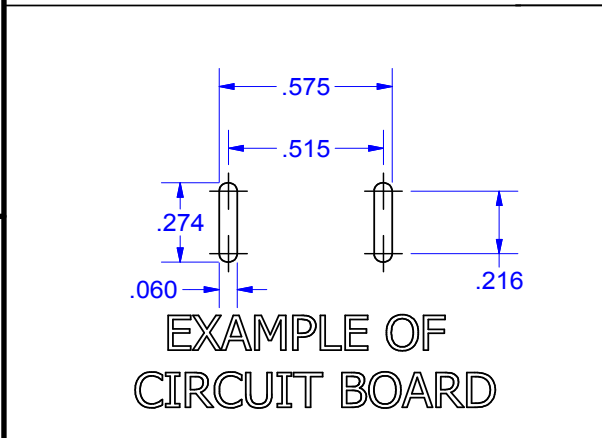
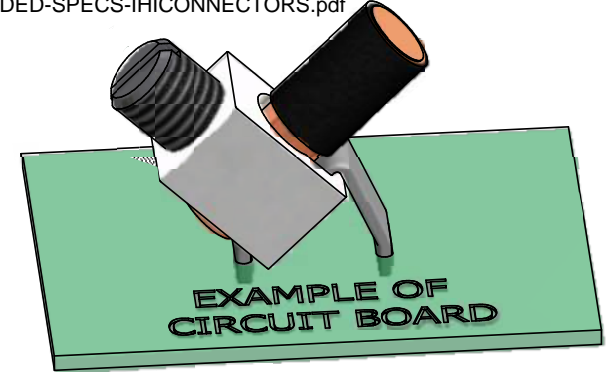
NOT FOR USE WHERE FAILURE CREATES A HAZARD TO HUMAN HEALTH OR SAFETY. ALL PRODUCTS ARE SUBJECT TO THIS FULL DISCLAIMER: <http://www.ihconnectors.com/disclaimer.html>

FOR FURTHER INFORMATION ON THE PROPER USE OF THIS PRODUCT IN SPECIFIC APPLICATIONS SEE
http://www.ihconnectors.com/High_Amp_Wide_Trace_PCB_Wire_Connection.html
https://lugsdirect.com/PDF_Documents/5-16-SLOTTEDSCREW-BIT-RECOMMENDED-SPECS-IHCONNECTORS.pdf
<http://www.ihconnectors.com/Technical-Data-Installation.htm>

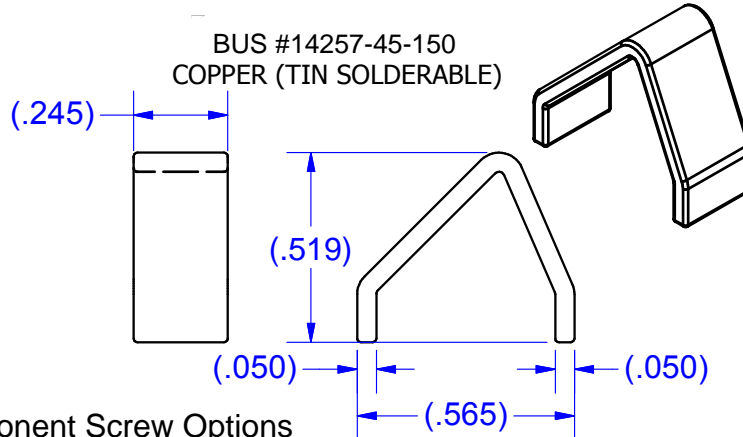


PARTS MARKED

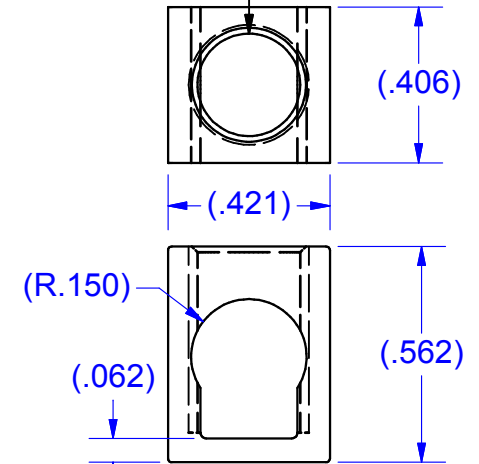
- B2
- IHI LOGO
- CSA LOGO
- UL REGOGNITION LOGO
- 2-14CU7
- 2-8AL7



BUS #14257-45-150
COPPER (TIN SOLDERABLE)



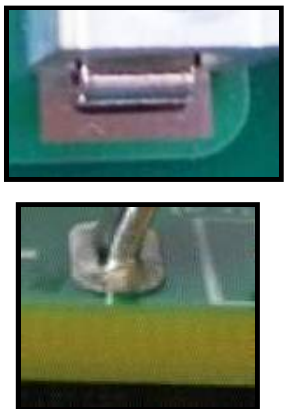
5/16-24 UNF - 2B



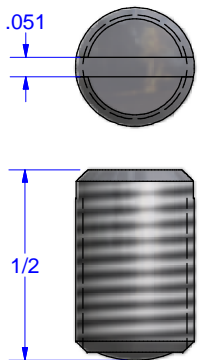
CONNECTOR #B2A
ALUMINUM (TIN PLATED)

Schematic drawing covers:
B2A-PCB-45-150
B2A-PCB-45-150-HEX
B2A-PCB-45-150-SS

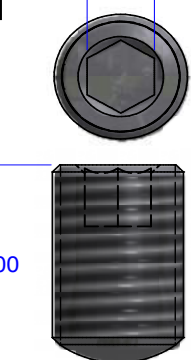
EXAMPLES OF TYPICAL SOLDER PADS



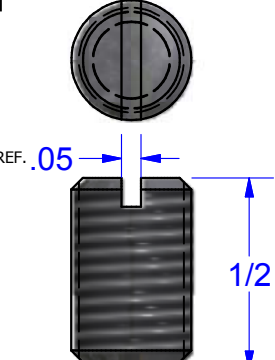
SCREW #12786SS
STAINLESS STEEL
INSERTED TO BOTTOM
OF WIRE HOLE



Screw #12786-HEX
Steel (Zinc Plated)



SCREW # 12786/15718
Steel (Zinc Plated)
INSERTED TO BOTTOM
OF WIRE HOLE



THIS DRAWING AND DESIGN ARE THE PROPERTY OF INTERNATIONAL HYDRAULICS, INC., CLEVELAND, OHIO, AND MAY NOT BE DUPLICATED, USED FOR THE BASIS OF DESIGN OR MANUFACTURE WITHOUT THE WRITTEN PERMISSION OF INTERNATIONAL HYDRAULICS, INC., CLEVELAND, OHIO.

INTERNATIONAL HYDRAULICS, INC.

TITLE:
**Connector + bus for PCB Mount
45deg. ASSEMBLED CONNECTOR**

GENERAL TOLERANCES
±.015 (±0.038)

MATERIAL: **SEE ABOVE**

SIZE:

DRAWN BY:
TDS

DWG NO.:
"MULTI" SEE ABOVE

REV:
1

FINISH:

DATE:
11/7/11
11/7/14

IHI CONNECTORS