

14257-SMT parts screw torquing precautions - Slotted and Hex driving means
Steel screws (75C version) and Aluminum screws (90C versions)



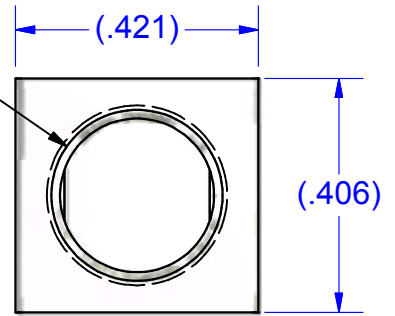
When torquing the wire binding screw to the proper amount for the size of wire, all SMT versions using the 14257-SMT staple bus must be protected against lateral forces (90 degrees to the axis of the staple length) when driving the screw which is the weaker plane for the SMT soldered connection to the PCB (the narrow plane of the staple).

Tearing detachment of the SMT soldered joint can occur do to its inherent weakness in that plane.

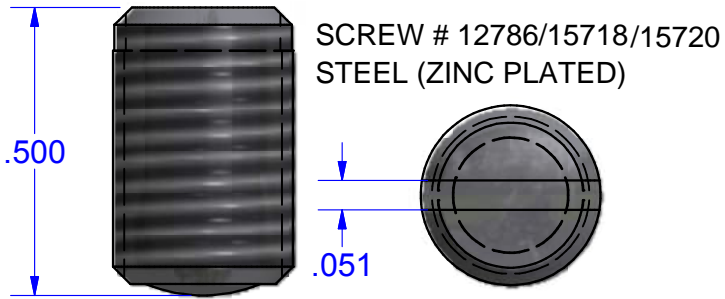
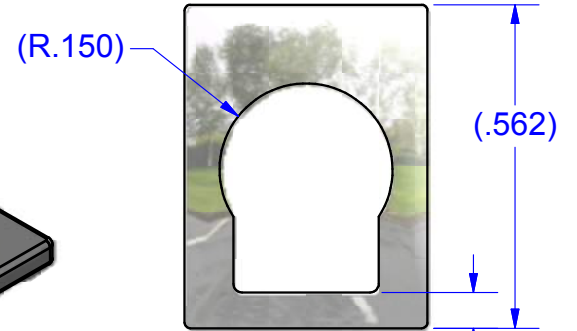
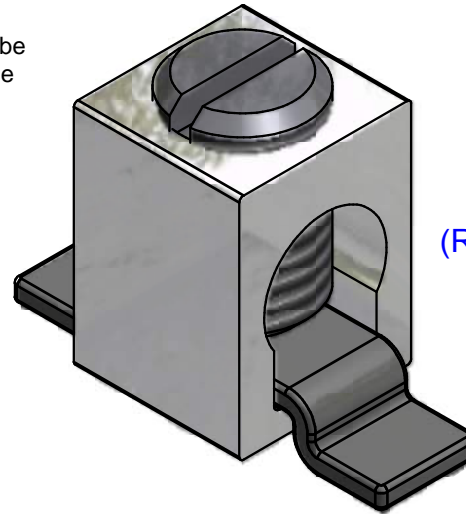
A universal jointed bit holder, universal joint coupling or universal "wobble" ended extension driver must always be used to apply pure rotational torque and no lateral torque moments.

SEE ALSO IHI GUIDE TO SMT COMPONENTS BEFORE USING SMT COMPONENTS IN DESIGNS

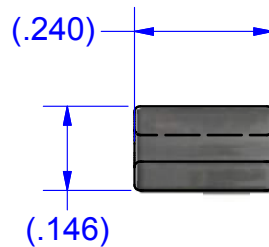
5/16-24 UNF - 2B



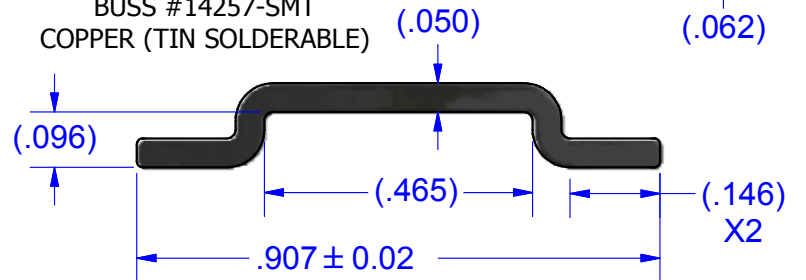
CONNECTOR #B2A
ALUMINUM (TIN PLATED)



SCREW # 12786/15718/15720
STEEL (ZINC PLATED)

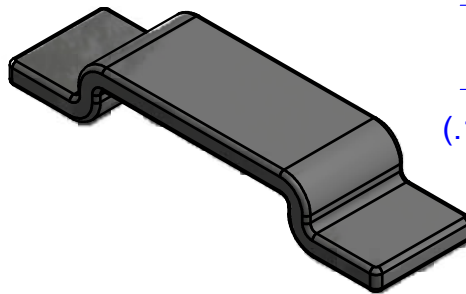


BUSS #14257-SMT
COPPER (TIN SOLDERABLE)



PARTS MARKED

- B2
- IHI LOGO
- CSA LOGO
- UL REGOGNITION LOGO
- 2-14CU7
- 2-8AL7



NOT FOR USE WHERE FAILURE CREATES A HAZARD TO HUMAN HEALTH OR SAFETY. ALL PRODUCTS ARE SUBJECT TO THIS FULL DISCLAIMER: <http://www.ihiconnectors.com/disclaimer.html>

FOR FURTHER INFORMATION ON THE PROPER USE OF THIS PRODUCT IN SPECIFIC APPLICATIONS SEE
<http://www.ihiconnectors.com/GuideToFlexFlexibleFineStrandedWireCableMechanicalLugsFAQ.html>
<http://ihiconnectors.com/Precautions-when-using-SMT.pdf>
http://www.ihiconnectors.com/FAQ_SMT_SMD_High_CurrentPCB_Terminal_LugsSolderCreep.htm
http://www.ihiconnectors.com/High_Amp_Wide_Trace_PCB_Wire_Connection.html
<http://www.ihiconnectors.com/Technical-Data-Installation.htm>

<small>THIS DRAWING AND DESIGN ARE THE PROPERTY OF INTERNATIONAL HYDRAULICS, INC., CLEVELAND, OHIO, AND MAY NOT BE DUPLICATED, USED FOR THE BASIS OF DESIGN OR MANUFACTURE WITHOUT THE WRITTEN PERMISSION OF INTERNATIONAL HYDRAULICS, INC., CLEVELAND, OHIO.</small>		INTERNATIONAL HYDRAULICS, INC.	
GENERAL TOLERANCES ±.015 (±0,038mm)		TITLE: Connector + Buss for PCB Mount ASSEMBLED CONNECTOR	
MATERIAL: SEE ABOVE	SIZE: TDS	DRAWN BY: TDS	DWG NO.: B2A-PCB-SMT (SALES)
FINISH:	DATE: 1215/08	REV: 1	
		THIS IS A CAD DRAWING, DO NOT MANUALLY REVISE	