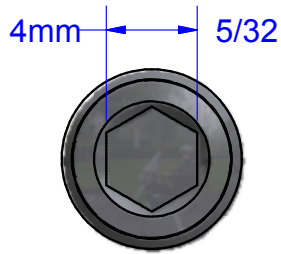
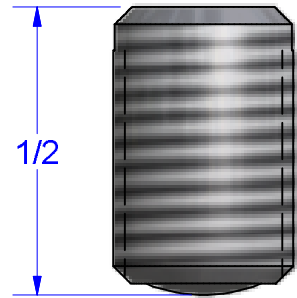


.051

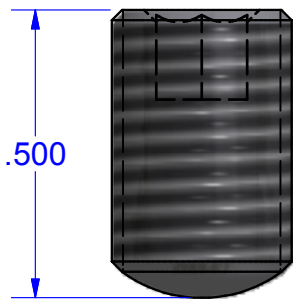
SCREW 12786/15718  
STEEL (ZINC PLATED)



SCREW #12786-HEX  
STEEL (ZINC PLATED)

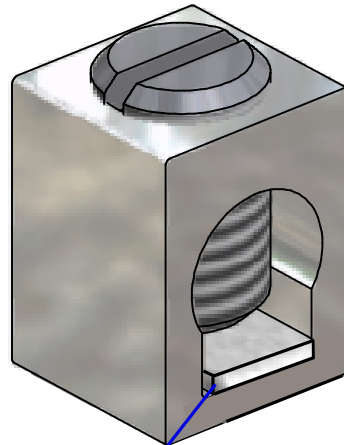


1/2

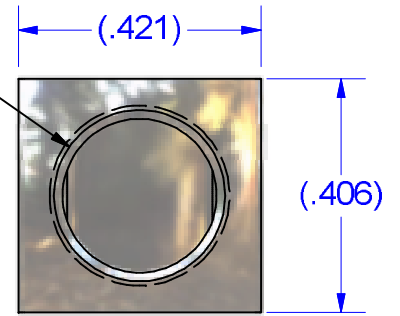


.500

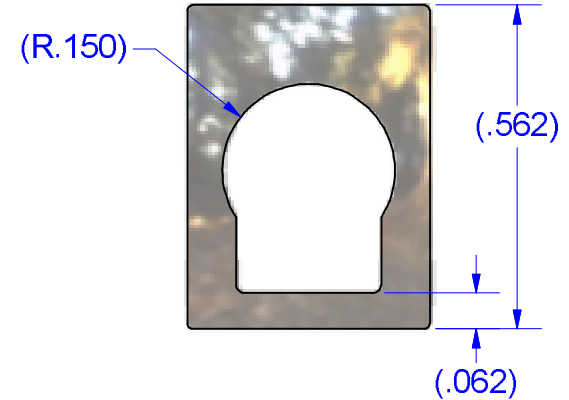
ALSO AVAILABLE: 4mm HEX SOCKET



5/16-24 UNF - 2B



CONNECTOR #B2A  
ALUMINUM (TIN PLATED)



CUSTOMER SUPPLIED BUS STRIP & COLLAR RETENTION  
115 AMP .24 X .04 CROSS SECTION  
50 AMP .25 X .032 CROSS SECTION  
TIN PLATED COPPER ALLOY  
MEANS FOR ANTI-ROTATION AND ANTI-PULL OFF  
CONSULT IHI FOR PROPER BUS FIT TOLERANCES

**PARTS MARKED**

- B2
- IHI LOGO
- CSA LOGO
- UL REGOGNITION LOGO
- 2-14CU7
- 2-8AL7

NOT FOR USE WHERE FAILURE CREATES A HAZARD TO HUMAN HEALTH OR SAFETY. ALL PRODUCTS ARE SUBJECT TO THIS FULL DISCLAIMER: <http://www.ihiconnectors.com/disclaimer.html>

FOR FURTHER INFORMATION ON THE PROPER USE OF THIS PRODUCT IN SPECIFIC APPLICATIONS SEE  
[http://www.ihiconnectors.com/High\\_Amp\\_Wide\\_Trace\\_PCB\\_Wire\\_Connection.html](http://www.ihiconnectors.com/High_Amp_Wide_Trace_PCB_Wire_Connection.html)  
<http://www.ihiconnectors.com/Technical-Data-Installation.htm>

THIS DRAWING AND DESIGN ARE THE PROPERTY OF INTERNATIONAL HYDRAULICS, INC., CLEVELAND, OHIO, AND MAY NOT BE DUPLICATED, USED FOR THE BASIS OF DESIGN OR MANUFACTURE WITHOUT THE WRITTEN PERMISSION OF INTERNATIONAL HYDRAULICS, INC., CLEVELAND, OHIO.

**INTERNATIONAL HYDRAULICS, INC.**

GENERAL TOLERANCES  
±.015 (±0,038mm)

TITLE:  
**Connector**  
**ASSEMBLED CONNECTOR**

MATERIAL:  
**SEE ABOVE**

SIZE:

DRAWN BY:  
**TDS**

DWG NO.:  
**B2A (SALES)**

REV:  
**2**

FINISH:

DATE: 12/15/08  
**11/10/14**

THIS IS A CAD DRAWING, DO NOT MANUALLY REVISE