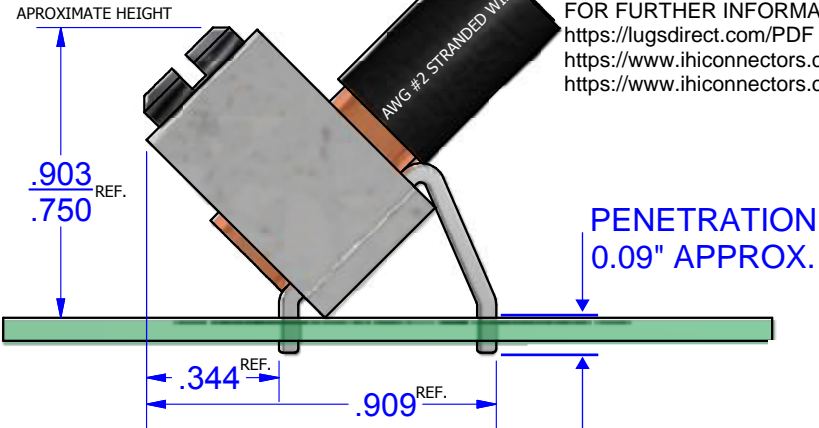


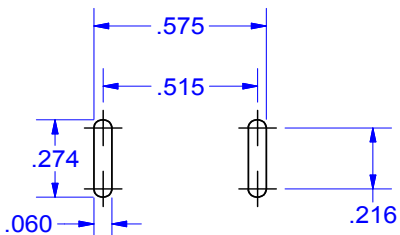
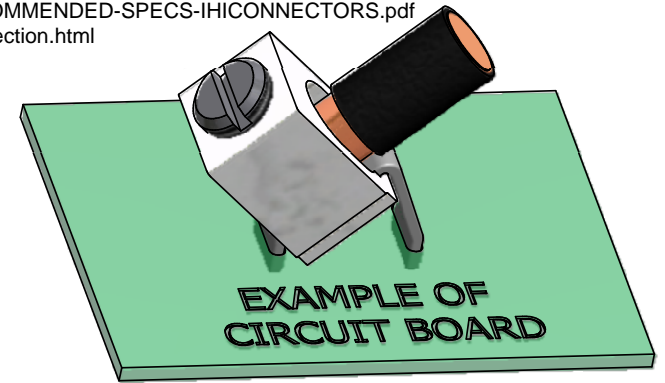
NOT FOR USE WHERE FAILURE CREATES A HAZARD TO HUMAN HEALTH OR SAFETY. ALL PRODUCTS ARE SUBJECT TO THIS FULL DISCLAIMER: <http://www.ihconnectors.com/disclaimer.html>

FOR FURTHER INFORMATION ON THE PROPER USE OF THIS PRODUCT IN SPECIFIC APPLICATIONS SEE <https://lugsdirect.com/PDF Documents/5-16-SLOTTEDSCREW-BIT-RECOMMENDED-SPECS-IHCONNECTORS.pdf>
https://www.ihconnectors.com/High_Amp_Wide_Trace_PCB_Wire_Connection.html
<https://www.ihconnectors.com/Technical-Data-Installation.htm>

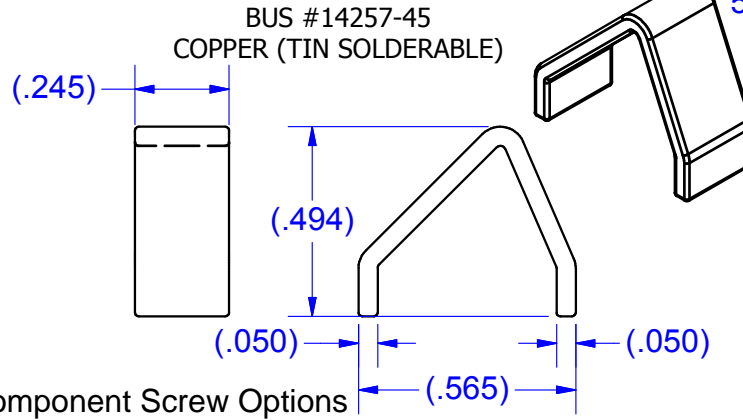


PARTS MARKED

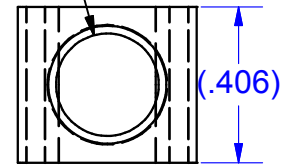
- B2C
- IHI LOGO
- CSA LOGO
- UL REGOGNITION LOGO
- 2-14CU7
- 2-8AL7



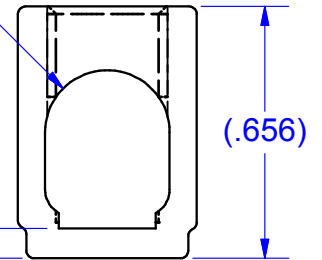
EXAMPLE OF CIRCUIT BOARD



5/16-24 UNF - 2B



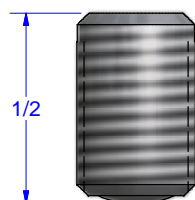
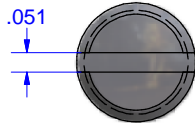
R.162



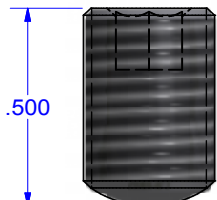
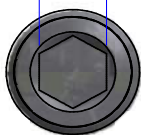
CONNECTOR #B2C ALUMINUM (TIN PLATED)

Component Screw Options

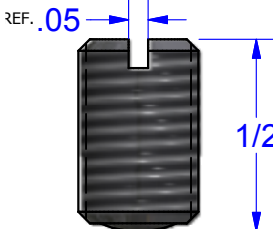
SCREW #12786SS STAINLESS STEEL INSERTED TO BOTTOM OF WIRE HOLE



Screw #12786-HEX Steel (Zinc Plated) 4mm 5/32

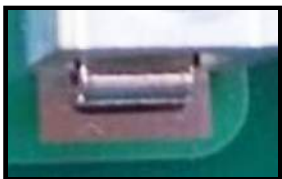


SCREW #12786/15718/15720 Steel (Zinc Plated) INSERTED TO BOTTOM OF WIRE HOLE



Schematic drawing covers:
 B2C-PCB-45
 B2C-PCB-45-HEX
 B2C-PCB-45-SS

EXAMPLES OF TYPICAL SOLDER PADS



THIS DRAWING AND DESIGN ARE THE PROPERTY OF INTERNATIONAL HYDRAULICS, INC., CLEVELAND, OHIO, AND MAY NOT BE DUPLICATED, USED FOR THE BASIS OF DESIGN OR MANUFACTURE WITHOUT THE WRITTEN PERMISSION OF INTERNATIONAL HYDRAULICS, INC., CLEVELAND, OHIO.

GENERAL TOLERANCES ±.015 (±0.038)

MATERIAL: SEE ABOVE

FINISH:

INTERNATIONAL HYDRAULICS, INC.

TITLE: Connector + bus for PCB Mount 45deg. ASSEMBLED CONNECTOR

SIZE: DRAWN BY: TDS DWG NO.: "MULTI" SEE ABOVE REV: 1

DATE: 11/7/11 11/7/14

IHI CONNECTORS