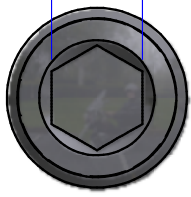
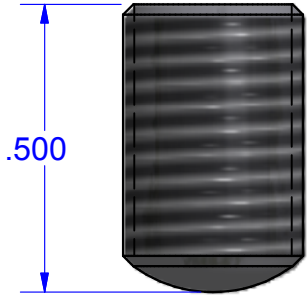


4mm 5/32



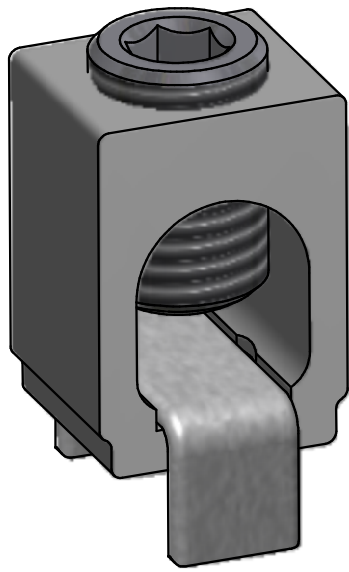
SCREW #12786-HEX
STEEL (ZINC PLATED)



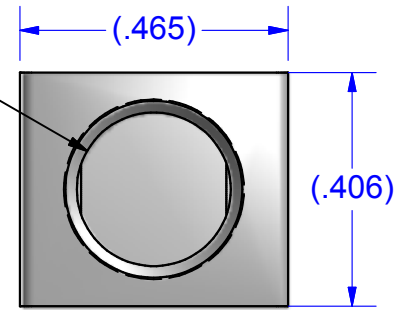
.500

PARTS MARKED

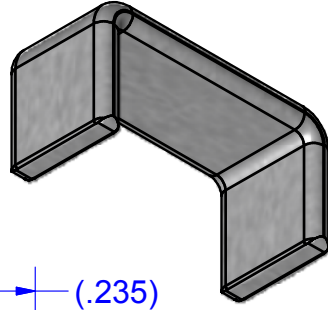
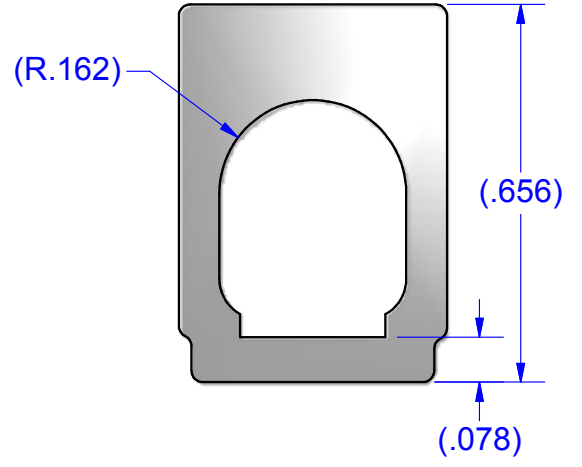
- B2C
- IHI LOGO
- CSA LOGO
- UL REGOGNITION LOGO
- 2-14CU7
- 2-8AL7



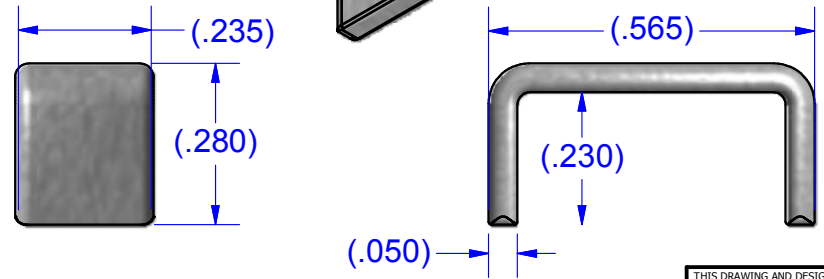
5/16-24 UNF - 2B



CONNECTOR #B2C
ALUMINUM (TIN PLATED)



BUS #14257
COPPER (TIN SOLDERABLE)



NOT FOR USE WHERE FAILURE CREATES A HAZARD TO HUMAN HEALTH OR SAFETY. ALL PRODUCTS ARE SUBJECT TO THIS FULL DISCLAIMER: <http://www.ihiconnectors.com/disclaimer.html>

FOR FURTHER INFORMATION ON THE PROPER USE OF THIS PRODUCT IN SPECIFIC APPLICATIONS SEE <http://www.ihiconnectors.com/GuideToFlexFlexibleFineStrandedWireCableMechanicalLugsFAQ.html>
http://www.ihiconnectors.com/High_Amp_Wide_Trace_PCB_Wire_Connection.html
<http://www.ihiconnectors.com/Technical-Data-Installation.htm>

| | | | | | | | | | |
|---|--|--------------------------------|--------------------------------|--|---|--|--|--|--|
| <small>THIS DRAWING AND DESIGN ARE THE PROPERTY OF INTERNATIONAL HYDRAULICS, INC., CLEVELAND, OHIO, AND MAY NOT BE DUPLICATED, USED FOR THE BASIS OF DESIGN OR MANUFACTURE WITHOUT THE WRITTEN PERMISSION OF INTERNATIONAL HYDRAULICS, INC., CLEVELAND, OHIO.</small> | | | | | INTERNATIONAL HYDRAULICS, INC. | | | | |
| GENERAL TOLERANCES ±.015 (±0,038mm) | | | | | TITLE: Connector + Bus for PCB Mount ASSEMBLED CONNECTOR | | | | |
| MATERIAL: SEE ABOVE | | SIZE: | DRAWN BY: TDS | DWG NO.: B2C-PCB-HEX (SALES) | REV: | | | | |
| FINISH: | | DATE: 6/29/09 | | THIS IS A CAD DRAWING, DO NOT MANUALLY REVISE | | | | | |