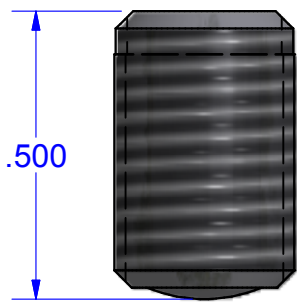
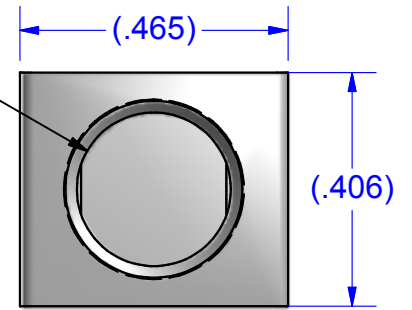


SCREW # 12786/15718
STEEL (ZINC PLATED)

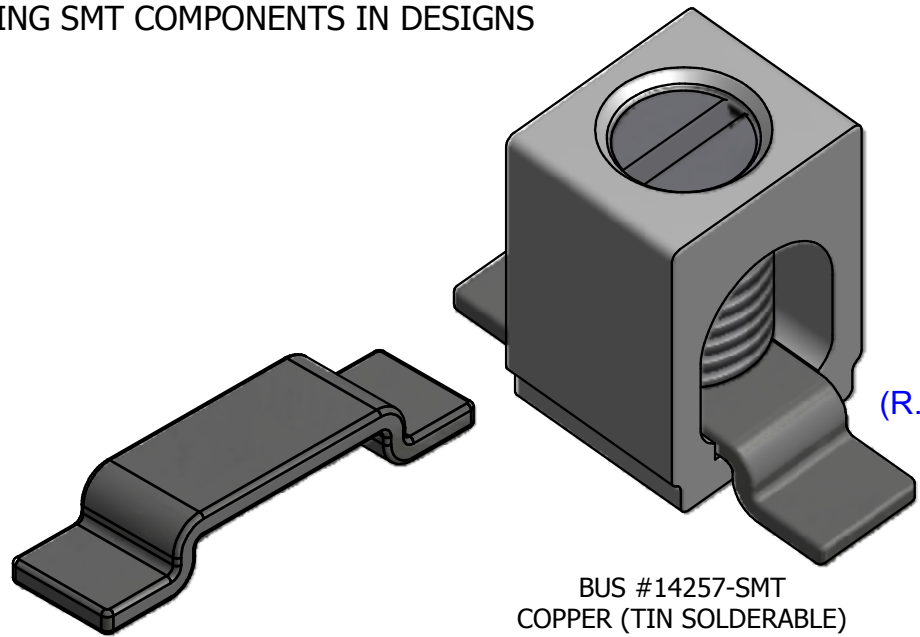


SEE ALSO IHI GUIDE TO
SMT COMPONENTS BEFORE
USING SMT COMPONENTS IN DESIGNS

5/16-24 UNF - 2B

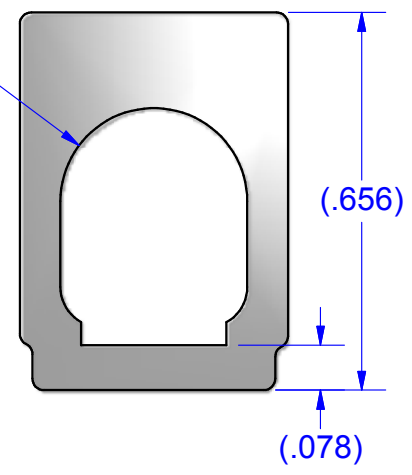


CONNECTOR #B2C
ALUMINUM (TIN PLATED)

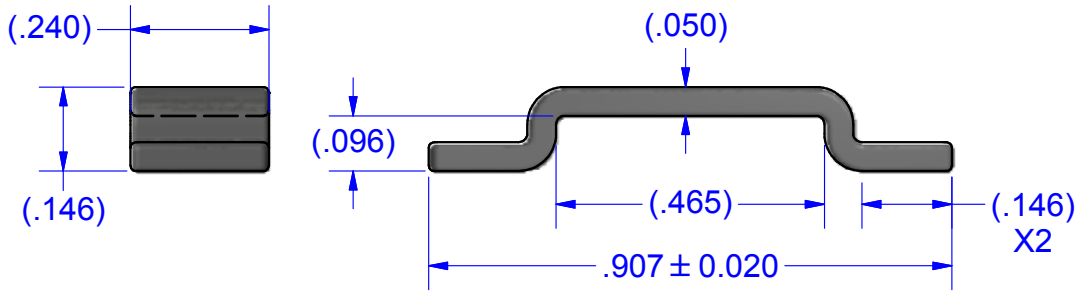


BUS #14257-SMT
COPPER (TIN SOLDERABLE)

(R.162)



- PARTS MARKED**
B2C
IHI LOGO
CSA LOGO
UL REGOGNITION LOGO
2-14CU7
2-8AL7



NOT FOR USE WHERE FAILURE CREATES A HAZARD TO HUMAN HEALTH OR SAFETY. ALL PRODUCTS ARE SUBJECT TO THIS FULL DISCLAIMER: <http://www.ihiconnectors.com/disclaimer.html>

FOR FURTHER INFORMATION ON THE PROPER USE OF THIS PRODUCT IN SPECIFIC APPLICATIONS SEE
<http://www.ihiconnectors.com/GuideToFlexFlexibleFineStrandedWireCableMechanicalLugsFAQ.html>
<http://ihiconnectors.com/Precautions-when-using-SMT.pdf>
http://www.ihiconnectors.com/FAQ_SMT_SMD_High_CurrentPCB_Terminal_LugsSolderCreep.htm
http://www.ihiconnectors.com/High_Amp_Wide_Trace_PCB_Wire_Connection.html
<http://www.ihiconnectors.com/Technical-Data-Installation.htm>

<small>THIS DRAWING AND DESIGN ARE THE PROPERTY OF INTERNATIONAL HYDRAULICS, INC., CLEVELAND, OHIO, AND MAY NOT BE DUPLICATED, USED FOR THE BASIS OF DESIGN OR MANUFACTURE WITHOUT THE WRITTEN PERMISSION OF INTERNATIONAL HYDRAULICS, INC., CLEVELAND, OHIO.</small>		INTERNATIONAL HYDRAULICS, INC.	
GENERAL TOLERANCES ±.015 (±0,038mm)		TITLE: Connector + Bus for PCB Mount ASSEMBLED CONNECTOR	
MATERIAL: SEE ABOVE	SIZE: TDS	DRAWN BY: TDS	DWG NO.: B2C-PCB-SMT (SALES)
FINISH:	DATE: 6/29/09	REV: THIS IS A CAD DRAWING, DO NOT MANUALLY REVISE	