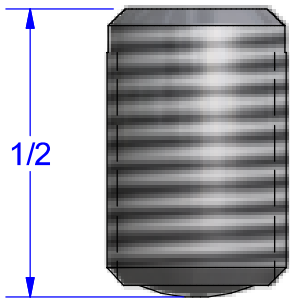


.051

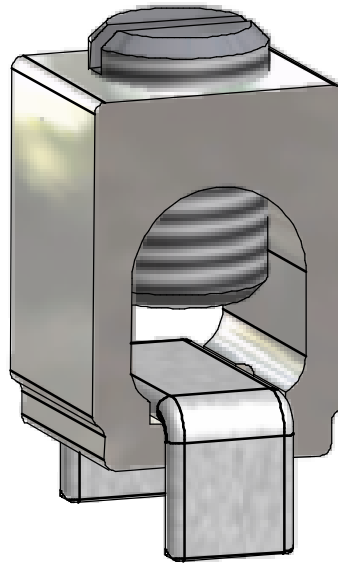
SCREW #12786/15718/15720
STEEL (ZINC PLATED)



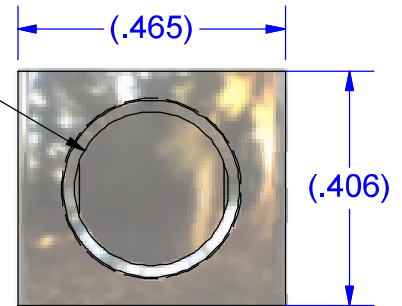
1/2

PARTS MARKED

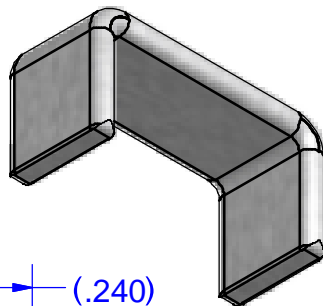
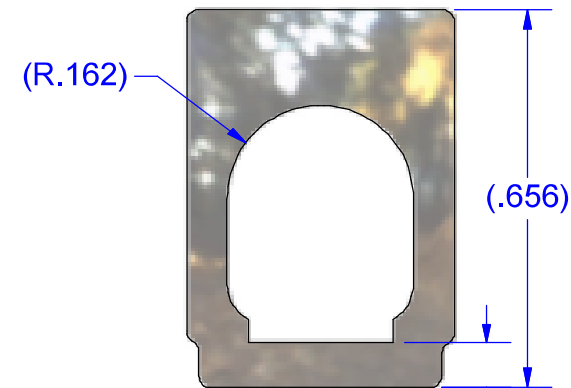
- B2C
- IHI LOGO
- CSA LOGO
- UL REGOGNITION LOGO
- 2-14CU7
- 2-8AL7



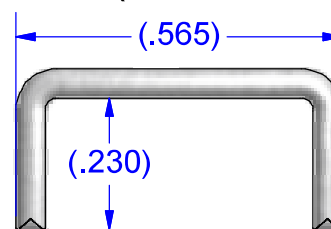
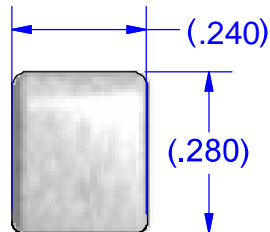
5/16-24 UNF - 2B



CONNECTOR #B2C
ALUMINUM (TIN PLATED)



BUSS #14257
COPPER (TIN SOLDERABLE)



(.050)

CONDITIONS OF ACCEPTABILITY
ARE NOMINALLY PROVIDED BY
THE TURN PREVENT STAPLES OF
MINIMUM REQUIRED CROSS
SECTION IN CONJUNCTION WITH
ADEQUATE PCB STRUCTURE.

NOT FOR USE WHERE FAILURE CREATES A HAZARD TO HUMAN HEALTH OR SAFETY. ALL PRODUCTS ARE SUBJECT TO THIS FULL DISCLAIMER: <http://www.ihconnectors.com/disclaimer.html>

FOR FURTHER INFORMATION ON THE PROPER USE OF THIS PRODUCT IN SPECIFIC APPLICATIONS SEE https://www.ihconnectors.com/High_Amp_Wide_Trace_PCB_Wire_Connection.html
<https://www.ihconnectors.com/Technical-Data-Installation.htm>
https://lugsdirect.com/PDF_Documents/5-16-SLOTTEDSCREW-BIT-RECOMMENDED-SPECS-IHCONNECTORS.pdf

THIS DRAWING AND DESIGN ARE THE PROPERTY OF INTERNATIONAL HYDRAULICS, INC., CLEVELAND, OHIO, AND MAY NOT BE DUPLICATED, USED FOR THE BASIS OF DESIGN OR MANUFACTURE WITHOUT THE WRITTEN PERMISSION OF INTERNATIONAL HYDRAULICS, INC., CLEVELAND, OHIO.

INTERNATIONAL HYDRAULICS, INC.

GENERAL TOLERANCES
±.015 (±0,038mm)

TITLE:
Connector + Buss for PCB Mount
ASSEMBLED CONNECTOR

MATERIAL:
SEE ABOVE

SIZE: DRAWN BY: **TDS** DWG NO.: **B2C-PCB (SALES)** REV:

FINISH:

DATE:
6/29/09

THIS IS A CAD DRAWING, DO NOT MANUALLY REVISE