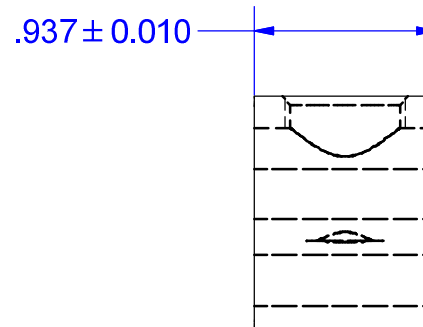
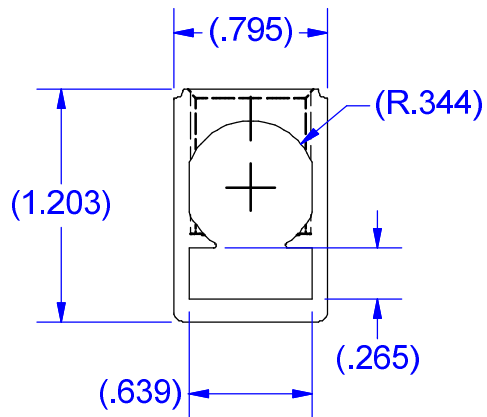


SCREW#13562
(ALUMINUM
TIN PLATED)



USE WITH $.25 \times .62$ ALUMINUM BUS
SEE UL FILE IHI E129884

PARTS MARKED
300 KCMIL-4
CU7AL
UR LOGO
IHI LOGO
B300

THIS DRAWING AND DESIGN ARE THE PROPERTY OF INTERNATIONAL HYDRAULICS, INC., CLEVELAND, OHIO, AND MAY NOT BE DUPLICATED, USED FOR THE BASIS OF DESIGN OR MANUFACTURE WITHOUT THE WRITTEN PERMISSION OF INTERNATIONAL HYDRAULICS, INC., CLEVELAND, OHIO.		INTERNATIONAL HYDRAULICS, INC.	
GENERAL TOLERANCES $\pm .015$ (± 0.038)		TITLE: B300 CONNECTOR	
MATERIAL: 6061-T6 (13913)	SIZE:	DRAWN BY: TDS	DWG NO.: B300-(SALES)
FINISH: TIN PLATE	DATE: 12/04/08	REV: THIS IS A CAD DRAWING, DO NOT MANUALLY REVISE	