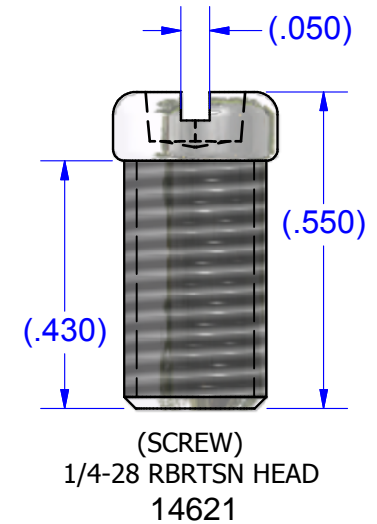
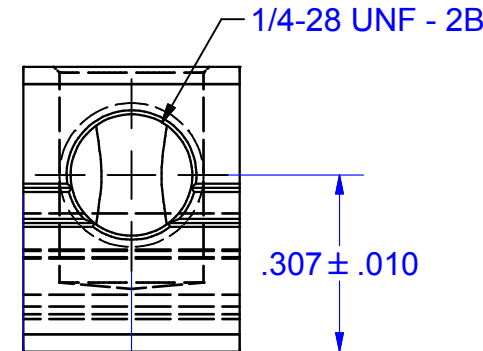
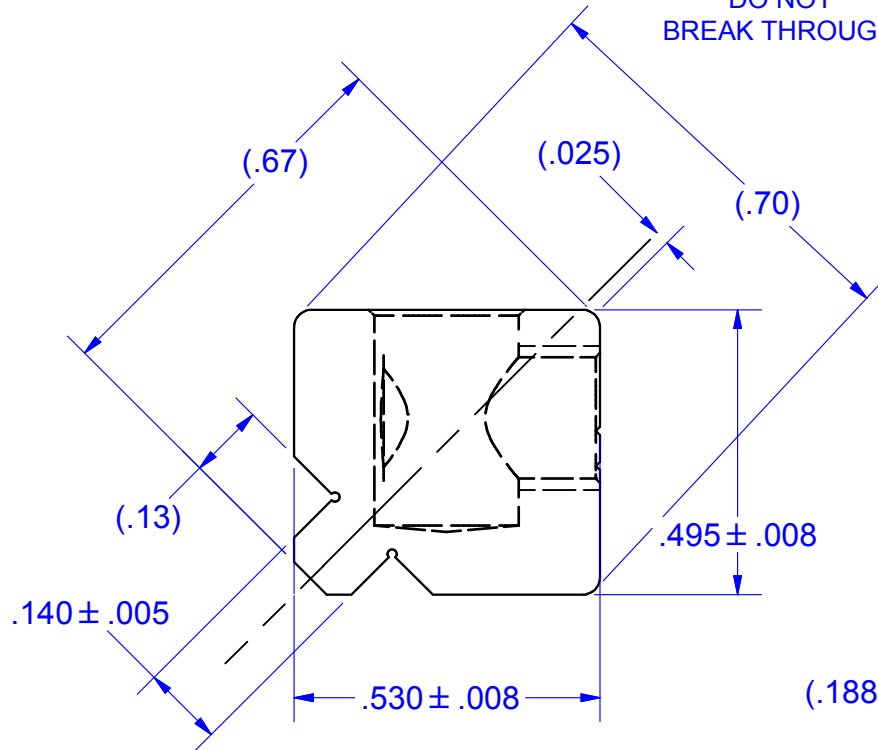
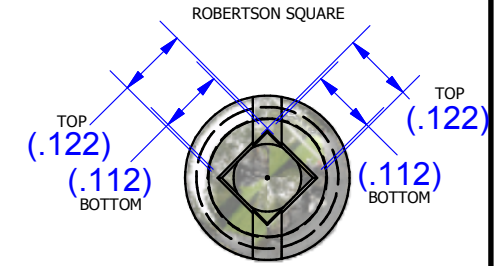
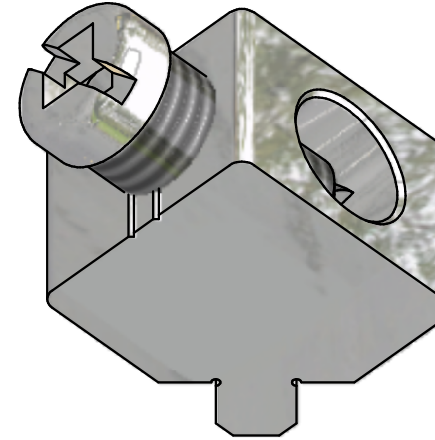
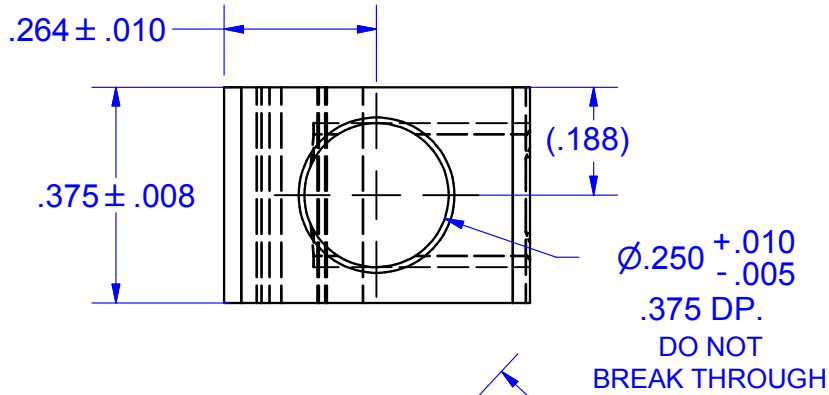


REVISION HISTORY

REV	DESCRIPTION	DATE	APPROVED
2	REDRAWN IN INVENTOR FORMAT ALSO ADD 14621 SCREW REF. INFO	7/1/2011	TDS



- B4A-PCB-45-RS (SQUARE/SLOT ROBERTSON)
- B4A-PCB-45-HEX (1/8" HEX SKT. SET SCREW)
- B4A-PCB-45-HEX-M (3mm HEX SKT. SET SCREW)
- B4A-PCB-45 (SLOTTED SET SCREW)
- B4A-PCB-SMT (MOUNTED ON FLAT SIDE, ANY SCREW CHOICE)

NOTES:

1. FINISH: TIN PLATE FOR SOLDERING
2. PART IS NOT UL/CSA LISTED/CERTIFIED (SEE PART B2A-PCB OR B12-PCB FOR LISTED PARTS) BUT IS CAPABLE OF PASSING UL686
3. FOR .06 PCB MIN. BOARD THICKNESS
4. USE ROUTED SLOT IN PCB FOR .140 FOOT, ALL FINAL PCB SPECS BASED ON BUYER TESTING AND APPROVAL
5. STANDARD PART HAS #2 ROBERTSON SQUARE STYLE STEEL SCREW INSTALLED.
6. ACCEPTS COPPER OR ALUMINUM WIRE (SOLID OR STRANDED)

THIS DRAWING AND DESIGN ARE THE PROPERTY OF INTERNATIONAL HYDRAULICS, INC., CLEVELAND, OHIO, AND MAY NOT BE DUPLICATED, USED FOR THE BASIS OF DESIGN OR MANUFACTURE WITHOUT THE WRITTEN PERMISSION OF INTERNATIONAL HYDRAULICS, INC., CLEVELAND, OHIO.

GENERAL TOLERANCES
 $\pm .015 (\pm 0.038)$

MATERIAL: 6061-T6
XBXA-PCB-45

FINISH:
SEE NOTE

INTERNATIONAL HYDRAULICS, INC.

TITLE: PCB 45 COLLAR AWG 6-18
CONNECTOR W/PRINTED
CIRCUIT BOARD TAB

SCALE: 3:1
DRAWN BY: TDS
DWG NO.: B4A-PCB-45-(SALES)
REV: 2

DATE: 7/1/11
THIS IS A CAD DRAWING, DO NOT MANUALLY REVISE