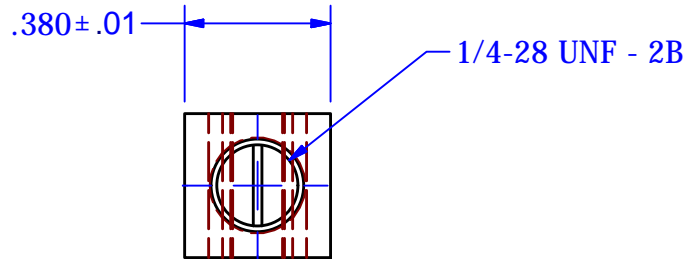
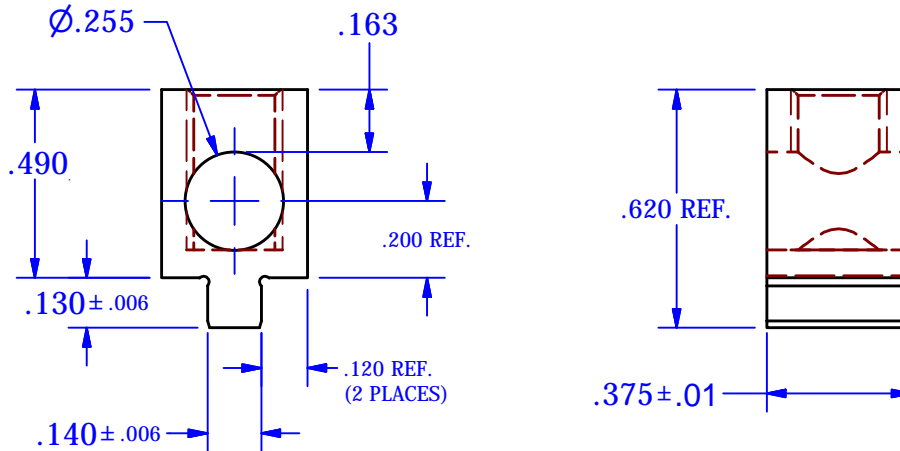


Wire Binding Screw Recommended Torque Chart for Wire Stranding Classes Listed in UL486A-B Code Wires*			
AWG 4-14 (mm ² 16-2.5)			
AWG	mm ²	in-lb	N-M
4	-	35	3.95
-	16		
6	-		
-	10	25	2.82
8	-		
-	6		
10	-	20	2.26
-	4		
12	-		
-	2.5		
14	-		

*For parts with No Screw (i.e. XXX-PCB-NS) Recommended Torque is User Controlled. Wire binding screw torque not applicable to ring lug clamping screws. Suitable torques for flex wire may be different than listed.



Assembly Variants		
PART	HARDWARE P/N	STYLE
B4A-PCB	11489/15717	SLOTTED SET SCREW
B4A-PCB-HEX	13695	HEX SOCKET SET SCREW
B4A-PCB-HEX-M	14975	METRIC SOCKET SET SCREW
B4A-PCB-RS	14621	ROBERTSON SLOTTED
B4A-PCB-RLM	25NWSA0T+ 25F37HCS5T	RING LUG MOUNT
B4A-PCB-NS	NO SCREW	CUSTOMER SCREW
B4A-PCB-2RLM	25F50KCS0T	TWO RING LUG MOUNT



GENERAL TOLERANCES ±.013

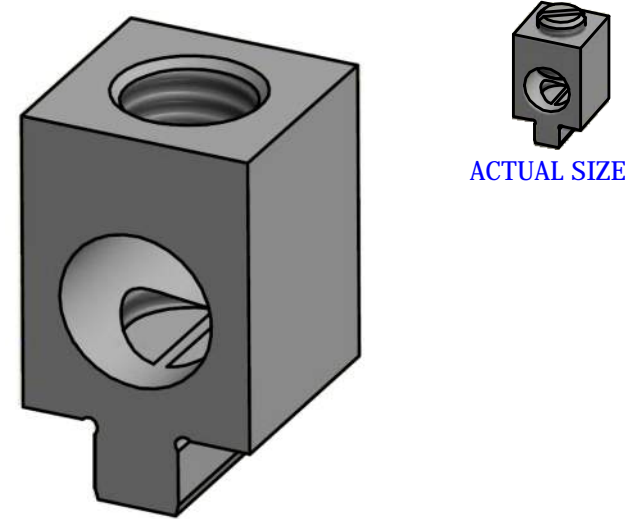


PLATE SPEC:
1. TIN PLATE FOR SOLDERING

NOT FOR USE WHERE FAILURE CREATES A HAZARD TO HUMAN HEALTH OR SAFETY. ALL PRODUCTS ARE SUBJECT TO THIS FULL DISCLAIMER: <http://www.ihconnectors.com/disclaimer.html>

FOR FURTHER INFORMATION ON THE PROPER USE OF THIS PRODUCT IN SPECIFIC APPLICATIONS SEE <http://www.ihconnectors.com/GuideToFlexFlexibleFineStrandedWireCableMechanicalLugsFAQ.html>
<http://www.ihconnectors.com/Precautions-when-using-SMT.pdf>
http://www.ihconnectors.com/FAQ_SMT_SMD_High_CurrentPCB_Terminal_LugsSolderCreep.htm
http://www.ihconnectors.com/High_Amp_Wide_Trace_PCB_Wire_Connection.html
<http://www.ihconnectors.com/Technical-Data-Installation.htm>

REV	DESCRIPTION	DATE	BY
1	INITIAL RELEASE	4/27/2016	DJH
<small>THIS DRAWING AND DESIGN ARE THE PROPERTY OF INTERNATIONAL HYDRAULICS, INC., CLEVELAND, OHIO, AND MAY NOT BE DUPLICATED, USED FOR THE BASIS OF DESIGN OR MANUFACTURE WITHOUT THE WRITTEN PERMISSION OF INTERNATIONAL HYDRAULICS, INC., CLEVELAND, OHIO.</small>			
INTERNATIONAL HYDRAULICS, INC. TITLE: AWG 4-16 COLLAR CONNECTOR W/PRINTED CIRCUIT BOARD TAB MANUFACTURING PRINT			
MATERIAL: 6061 T6 (XB4A)	SIZE: A	DRAWN BY: TDS	DWG NO.: B4A-PCB
FINISH: SEE NOTE	DATE: 2/10/16	THIS IS A CAD DRAWING, DO NOT MANUALLY REVISE	