

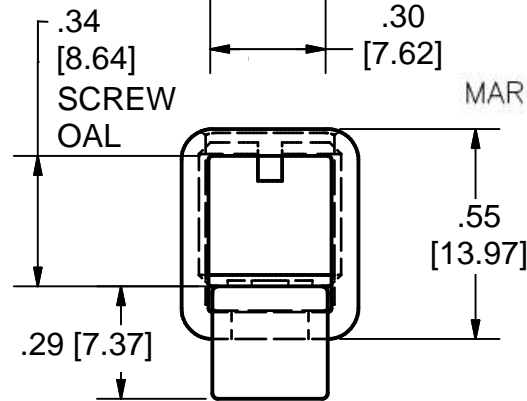
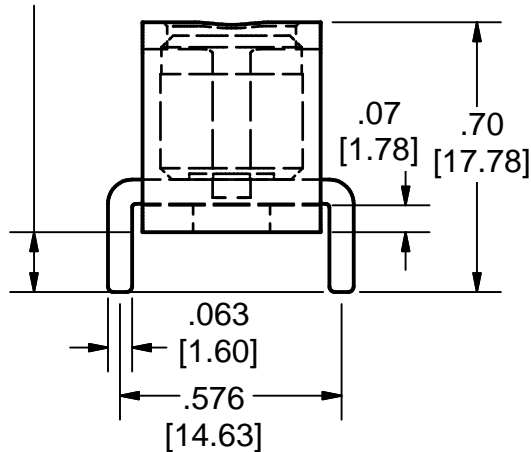
15810 COPPER STAPLE
SOLDERABLE
TIN / NI PLATED

COPPER BODY B4B

* ALSO AVAILABLE SPECIAL
ORDER B4B-PCB-S WITH
ZINC PLATED STEEL SCREW
14704-S (NON-STOCK MOQ)

0.15 [3.8mm]
PENETRATION THRU PCB

3/8-27 UNS
* BRASS SCREW
14704



MARKING 4-14 CU9
IHI  B4B
C US

HEAVY DUTY COPPER
TERMINAL BRASS SCREW. UP TO 95 AMPS WITH
AWG #4 COPPER WIRE 90C APPLICATIONS WITH
APPROPRIATE PCB INFRASTRUCTURE
CSA C22.2 NO 65 6223-82 (=UL486A STANDARD)
CERTIFIED FOR USA AND CANADA


International Hydraulics Inc.
ihiconnectors.com™

CU9
 6223-02
CAN
6223-82
US

To be used with
"Conditions of Acceptability"

CSA 200116

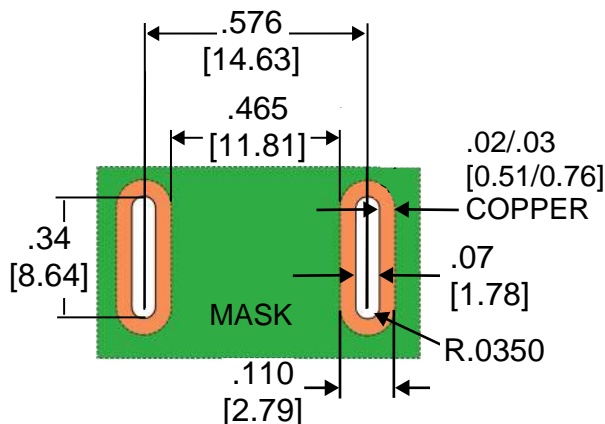
Wire Size Rated Torque

4-6 AWG 45 IN. LBS.
8 AWG 40 IN. LBS.
10-14 AWG 35 IN. LBS.

4-14 CU9

**Pressure Terminal
Connectors**

NRTL Cat. No.
B4B



NOT FOR USE WHERE FAILURE CREATES A HAZARD TO HUMAN HEALTH OR SAFETY. ALL
PRODUCTS ARE SUBJECT TO THIS FULL DISCLAIMER: <http://www.ihiconnectors.com/disclaimer.html>

FOR FURTHER INFORMATION ON THE PROPER USE OF THIS PRODUCT IN SPECIFIC
APPLICATIONS SEE

http://www.ihiconnectors.com/High_Amp_Wide_Trace_PCB_Wire_Connection.html
<http://www.ihiconnectors.com/Technical-Data-Installation.htm>

THIS DRAWING AND DESIGN ARE THE PROPERTY OF INTERNATIONAL HYDRAULICS, INC., CLEVELAND, OHIO, AND MAY NOT BE DUPLICATED, USED FOR THE BASIS OF DESIGN OR MANUFACTURE WITHOUT THE WRITTEN PERMISSION OF INTERNATIONAL HYDRAULICS, INC., CLEVELAND, OHIO.		IHI CONNECTORS INTERNATIONAL HYDRAULICS, INC.	
GENERAL TOLERANCES ±.015 (±0,39)		TITLE: B4B-PCB-B	
MATERIAL: COPPER, COPPER ALLOY		HIGH TEMP 4-14 90C PCB LUG	
SIZE: A	DRAWN BY: cridley	DWG NO.: B4B-PCB-B(SALES)	REV: 1
FINISH: CU STAPLE BUS SN OVER NI	DATE: 5-26-2019		