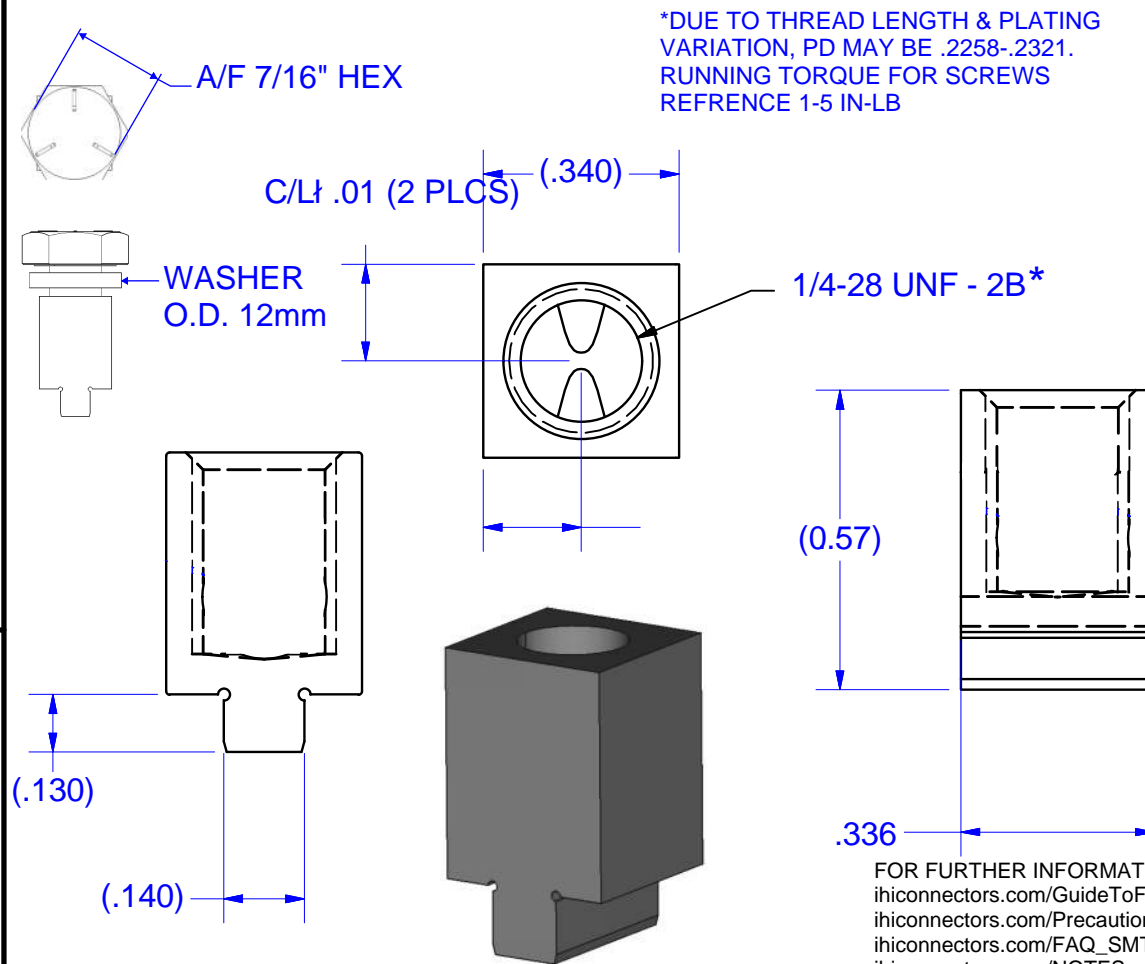
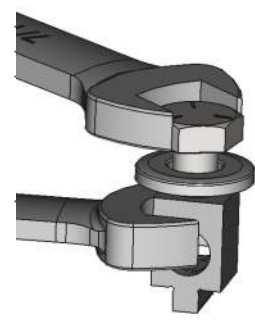


COPYRIGHT (PER LATEST REVISION DATE) OF INTERNATIONAL HYDRAULICS, INC. (IHI®). ALL RIGHTS RESERVED. THIS COMPLETE ENGINEERING DRAWING, SCHEMATICS, AND DESIGN ARE PROPRIETARY AND CONFIDENTIAL PROPERTY OF INTERNATIONAL HYDRAULICS, INC. DBA: IHI CONNECTORS® IN CLEVELAND, OHIO, AND MAY NOT BE DUPLICATED, USED FOR THE BASIS OF DESIGN OR MANUFACTURE WITHOUT PRIOR WRITTEN PERMISSION OF ITS OWNER. Contents contain a combination of registered trademark, copyright, or patent protections exclusively owned by IHI® which are not to be infringed upon. Not for use where failure creates a hazard to human health or safety. All products are subject to this full disclaimer: ihiconnectors.com/disclaimer.html



- NOTES:
- 1.FINISH: TIN PLATE FOR SOLDERING.
 - 2.PART IS NOT UL/CSA LISTED/CERTIFIED BUT IS CAPABLE OF PASSING UL486 SUBJECT TO TESTING AS MOUNTED IN PCB.
 - 3.WAVE SOLDERABLE (THT) OR SOLDER PASTE SOLDERABLE (SMT)
 - 4.THT FOOT MOUNT OR SMT / SMD MODE IN 90 DEGREE ORIENTATION.
 - 5.ACCEPTS COPPER OR ALUMINUM WIRE (SOLID OR STRANDED)
 - 6.FOR .06 PCB MIN. BOARD THICKNESS.
 - 7.USE ROUTED SLOT IN PCB FOR .140 FOOT, ALL FINAL PCB SPECS BASED ON BUYER TESTING AND APPROVAL
 - 8.SEE ADDITIONAL SPEC SHEETS FOR PAD DESIGN
 - 9.RING LUG MOUNT PARTS ARE SUPPLIED WITH HARDWARE KITTED; NOT ASSEMBLED.
 - 10.FOR USE WITH CUSTOMER SUPPLIED RING LUGS (1/4\"/>



**Ring Lug Mount (RLM)
Screw Tightening Torques**

All torques in inch-lbs. (Divide by 8.85 for N-m)

When Using	THT Mounts		SMT Mount	Lug body Wrench Size
	Min	Max		
-RLM			##	11/32\"/>

(**) Use of an open ended wrench on the lug to counter the applied torque is recommended in case the soldered mount to PCB is compromised by excessive torque applied through to the soldered PCB joint.

(##) All SMT mounts require that the torque applied should be established by purchaser using data on the strength of the SMT joint in the worst case.

In addition, use of an open ended wrench on the SMT mounted lug to counter the applied torque is recommended in case the soldered mount to PCB is compromised by excessive torque applied through to the soldered PCB joint.

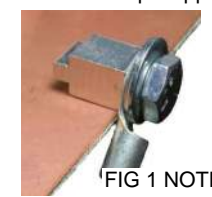
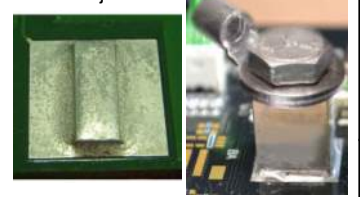


FIG 1 NOTE 11
SMT MODE



THT MODE

FOR FURTHER INFORMATION ON THE PROPER USE OF THIS PRODUCT IN SPECIFIC APPLICATIONS SEE ihiconnectors.com/GuideToFlexFlexibleFineStrandedWireCableMechanicalLugsFAQ.html
ihiconnectors.com/Precautions-when-using-SMT.pdf
ihiconnectors.com/FAQ_SMT_SMD_High_CurrentPCB_Terminal_LugsSolderCreep.htm
[ihiconnectors.com/NOTESonPCBFootPrintLayouts\(SMT-SMD-Mode\).pdf](http://ihiconnectors.com/NOTESonPCBFootPrintLayouts(SMT-SMD-Mode).pdf)
ihiconnectors.com/High_Amp_Wide_Trace_PCB_Wire_Connection.html
ihiconnectors.com/Technical-Data-Installation.htm

<small>THIS DRAWING AND DESIGN ARE THE PROPERTY OF INTERNATIONAL HYDRAULICS, INC., CLEVELAND, OHIO, AND MAY NOT BE DUPLICATED, USED FOR THE BASIS OF DESIGN OR MANUFACTURE WITHOUT THE WRITTEN PERMISSION OF INTERNATIONAL HYDRAULICS, INC., CLEVELAND, OHIO.</small>		INTERNATIONAL HYDRAULICS, INC.	
GENERAL TOLERANCES ±.015 (±0,038)		TITLE: RING LUG MOUNT TERMINAL 65 AMP WITH 6 AWG CU WIRE	
MATERIAL: 6061-T6 AL.	SIZE:	DRAWN BY: TDS	DWG NO.: B6A-NH-PCB-RLM
FINISH: SEE NOTE	DATE: 9/23/2022	THIS IS A CAD DRAWING, DO NOT MANUALLY REVISE	