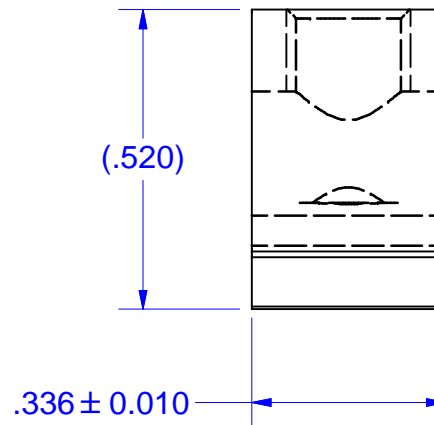
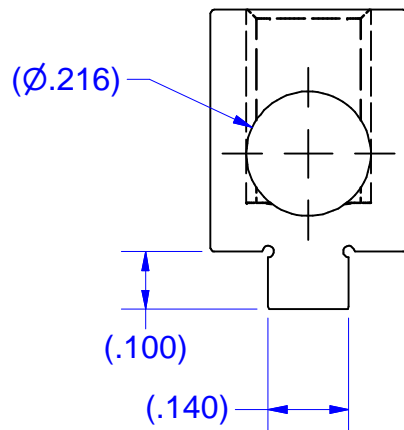


1/4-28 UNF
STEEL SCREW
ZINC PLATED
RoHS 5/6



NOTES:

1. FINISH: TIN PLATE FOR SOLDERING
2. PART IS NOT UL/CSA LISTED/CERTIFIED (SEE PART B2A-PCB OR B12-PCB FOR LISTED PARTS) BUT IS CAPABLE OF PASSING UL486
3. FOR .06 PCB MIN. BOARD THICKNESS
4. USE ROUTED SLOT IN PCB FOR .140 FOOT, ALL FINAL PCB SPECS BASED ON BUYER TESTING AND APPROVAL
5. STANDARD PART HAS ZINC SLOTTED SCREW INSTALLED.
6. ACCEPTS COPPER OR ALUMINUM WIRE (SOLID OR STRANDED)
7. RECOMMEND THE USE OF FERRULES FOR SMALL OR FINE STRANDED WIRE.

THIS DRAWING AND DESIGN ARE THE PROPERTY OF INTERNATIONAL HYDRAULICS, INC., CLEVELAND, OHIO, AND MAY NOT BE DUPLICATED, USED FOR THE BASIS OF DESIGN OR MANUFACTURE WITHOUT THE WRITTEN PERMISSION OF INTERNATIONAL HYDRAULICS, INC., CLEVELAND, OHIO.		INTERNATIONAL HYDRAULICS, INC.		
GENERAL TOLERANCES ±.015 (±0.038)		TITLE: PCB COLLAR AWG 6-18 CONNECTOR W/PRINTED CIRCUIT BOARD TAB		
MATERIAL: 6061-T6 (13521)	SCALE: 3:1	DRAWN BY: TDS	DWG NO.: B6A-PCB-(SALES)	REV: 1
FINISH: SEE NOTE	DATE: 12/04/08 11/20/14	THIS IS A CAD DRAWING, DO NOT MANUALLY REVISE		