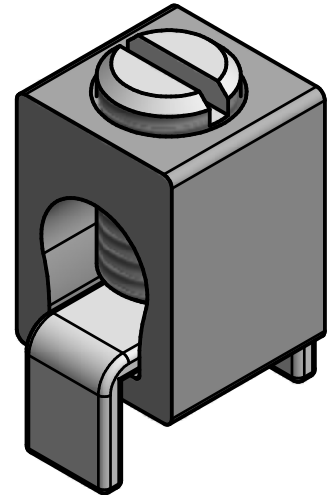


NOT FOR USE WHERE FAILURE CREATES A HAZARD TO HUMAN HEALTH OR SAFETY. ALL PRODUCTS ARE SUBJECT TO THIS FULL DISCLAIMER: <http://www.ihiconnectors.com/disclaimer.html>

FOR FURTHER INFORMATION ON THE PROPER USE OF THIS PRODUCT IN SPECIFIC APPLICATIONS SEE

http://www.ihiconnectors.com/High_Amp_Wide_Trace_PCB_Wire_Connection.html

<http://www.ihiconnectors.com/Technical-Data-Installation.htm>

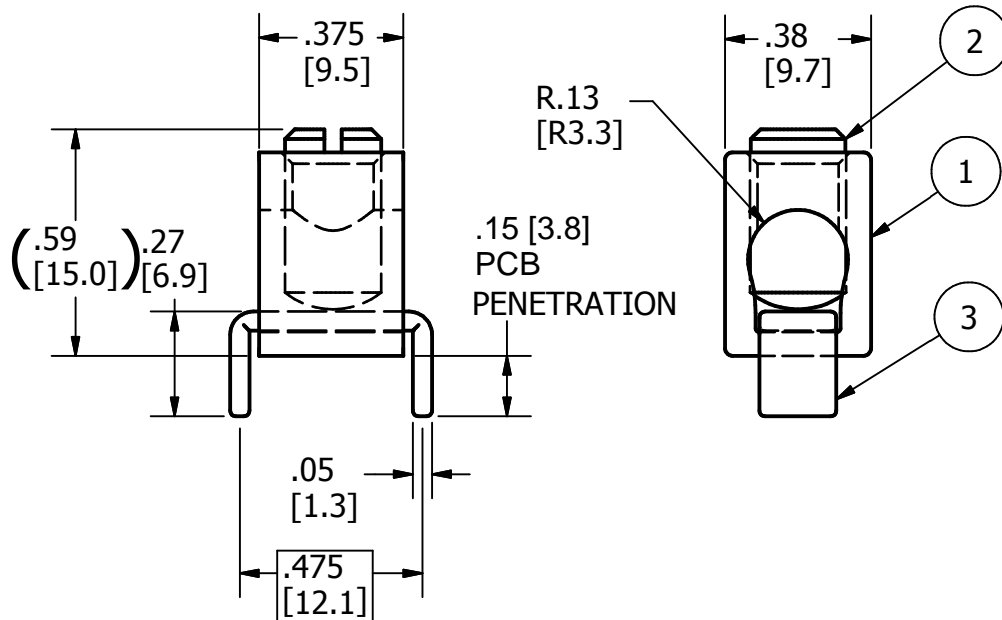


PARTS MARKED

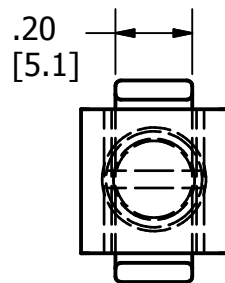
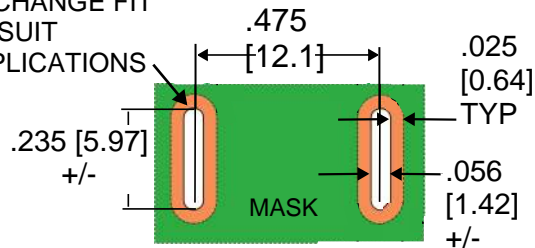
- B6B
- IHI LOGO
- CSA LOGO
- UL RECOGNITION LOGO
- 6-14 CU7
- 6-8 AL

BOM

1. B6B 60661-T6 ALUMINUM BODY TIN PLATED (Sn/Cu)
2. 14216-LF STEEL SCREW 1/4-28 X 15/32 [X12mm] ZINC CHROMATE PLATED (Cr/Zn)
3. 15812 COPPER THT STAPLE SOLDERABLE TIN PLATED (Sn/Ni)



COPPER
(PLATED THRU)
ROUTED SLOTS
+/- CHANGE FIT
TO SUIT
APPLICATIONS



To be used with
"Conditions of Acceptability"

UL File E129884

Pressure Terminal
Connectors
NRTL Cat. No.
B6B

75°C

Wire Size	Rated Torque
6 AWG	35 IN. LBS.
8 AWG	25 IN. LBS.
10-14 AWG	20 IN. LBS.

6-14 CU7
6-8 AL7

THIS DRAWING AND DESIGN ARE THE PROPERTY OF INTERNATIONAL HYDRAULICS, INC., CLEVELAND, OHIO, AND MAY NOT BE DUPLICATED, USED FOR THE BASIS OF DESIGN OR MANUFACTURE WITHOUT THE WRITTEN PERMISSION OF INTERNATIONAL HYDRAULICS, INC., CLEVELAND, OHIO.		IHI CONNECTORS INTERNATIONAL HYDRAULICS, INC.	
GENERAL TOLERANCES ±.015 (±0,39)		TITLE: B6B-PCB 65AMP PCB LUG	
MATERIAL: 6061-T6, STEEL SCREW		SIZE: A	DRAWN BY: cridley
FINISH: TIN PLATED SOLDERABLE		DATE: 6-18-2019	DWG NO.: B6B-PCB (SALES)
			REV: 0