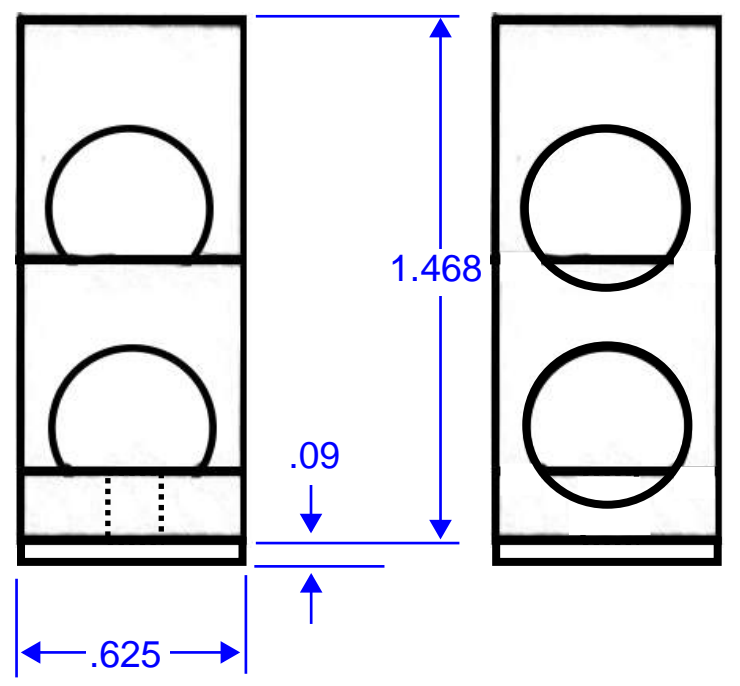
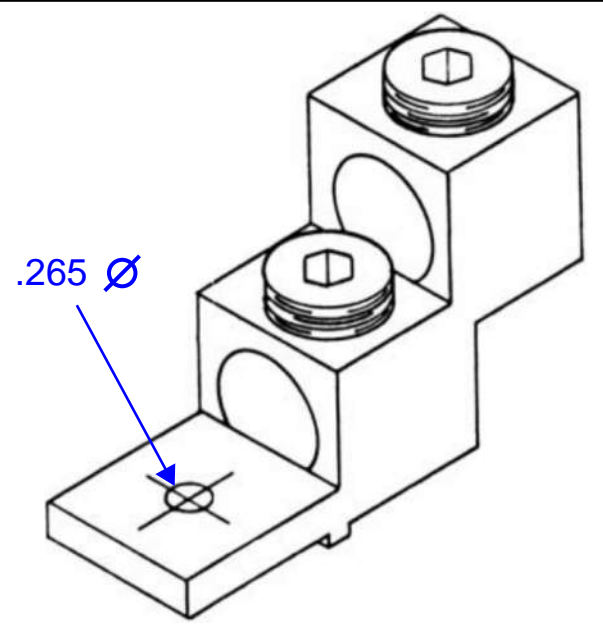
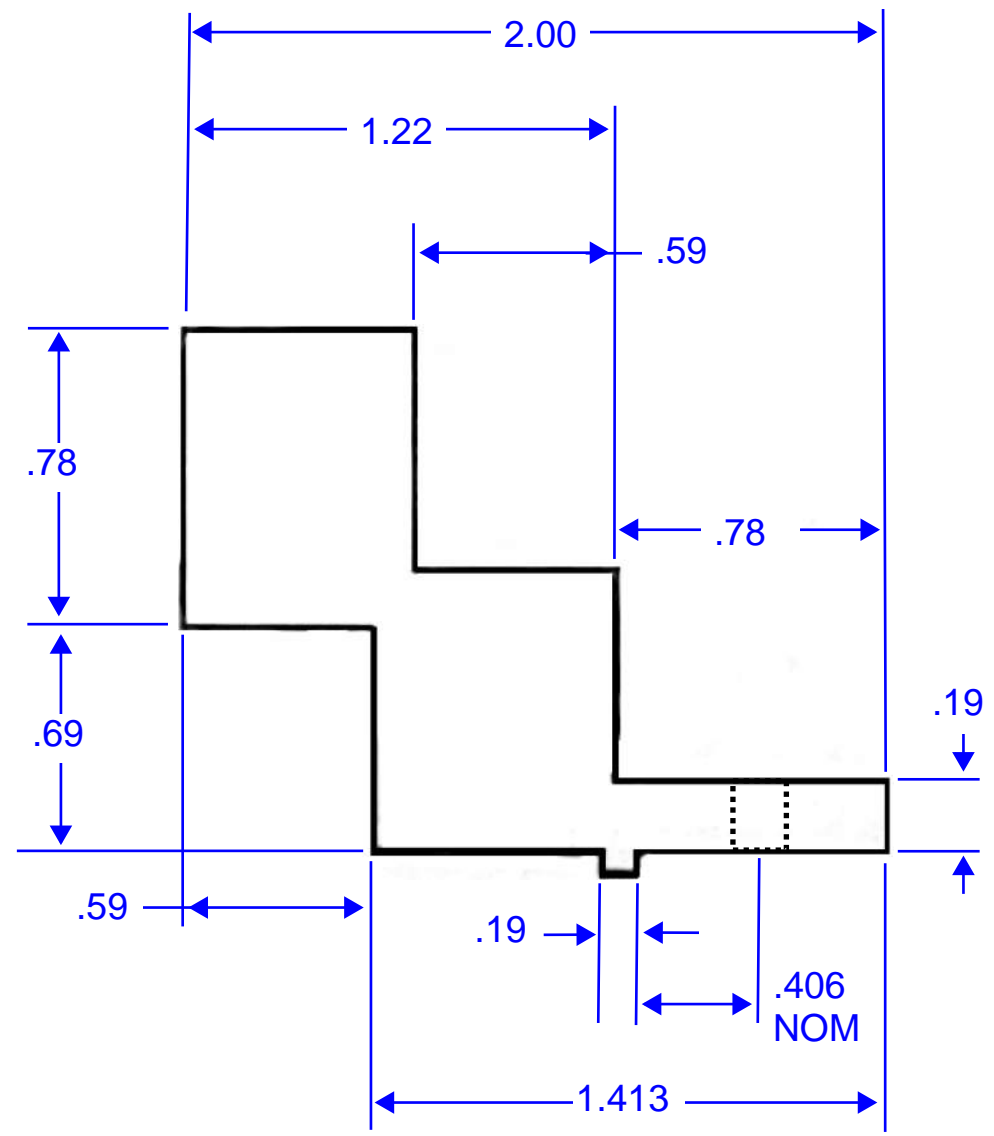


Cat. NO: 2/0TP-2

Material: High Strength, High Conductive Aluminum Alloy 6061T6
Plating: Tin Over Copper



WIRE RANGE CU9AL: 2/0-14 AWG



NOT DRAWN TO SCALE
GENERAL TOLERANCES $\pm .02$